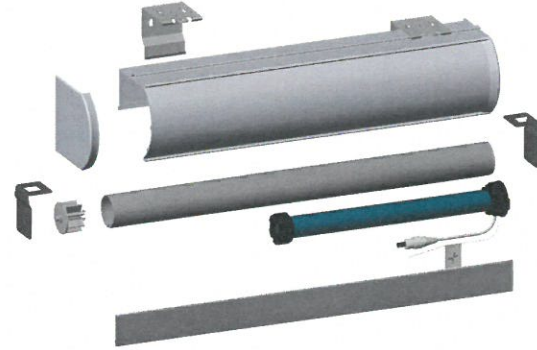


Installing Motorized Roller Shade

25E RF Motorized Cassette Roller Shade

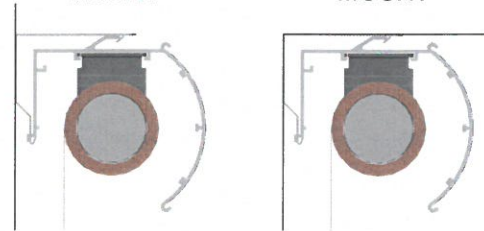


1. Your system should come with a Cassette Roller Shade Assembly, Cassette Covers, Mounting Brackets, Battery Wand and a Control Device (if purchased).



WALL MOUNT

CEILING MOUNT

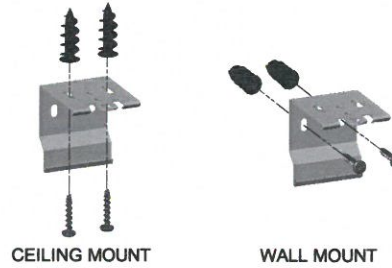


2. Level and mount brackets to a solid surface. Ensure solid blocking, use anchors when necessary. Recommended Bracket spacing is not to exceed 508mm [20"].



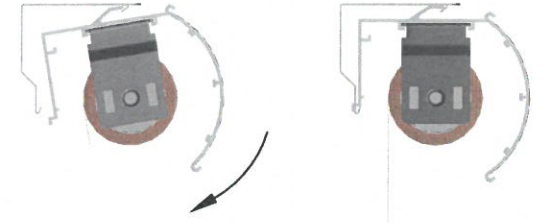
CEILING MOUNT  
Level brackets by adding shims to obtain proper height before affixing to ceiling

WALL MOUNT  
Level wall brackets to proper height before affixing to wall

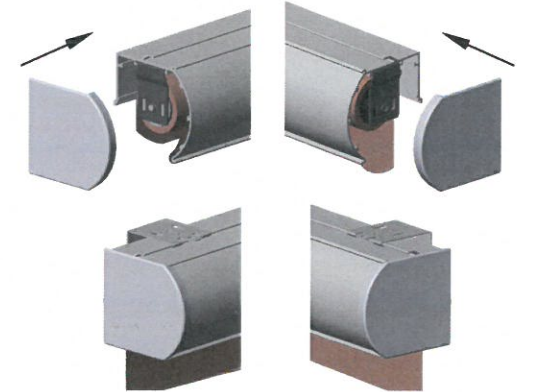


Note: Installer to provide wall anchors and screws appropriate to the surface material and weight of the product. Metal, self-drilling anchors are recommended for drywall.

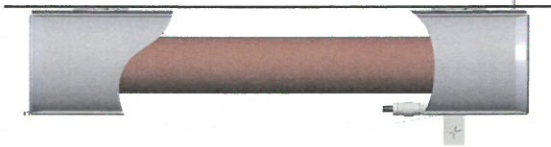
3. Install Cassette Roller into top of Mounting Bracket. Rotate Cassette until back of Cassette snaps into Mounting Bracket.



4. Install Cassette End Caps as shown.



5. Carefully cut Plastic wrap holding the Roller Shade. Be careful not to cut the Fabric.



7. Connect Battery Tube Power lead to Motor lead as shown below.



6. Mount Battery Tube to wall as close to Roller Shade as possible. Motor power lead and Battery Tube make up a length of 15".



25E RF Systems

Roller Shade installation is complete.

If your System needs to be Programmed, Please refer to the Appropriate Programming Instructions for this Product.

Enjoy your new BTX Intelligent Fashion Window Coverings product. For support or more information, email [btxwindow@btxinc.com](mailto:btxwindow@btxinc.com) or call (800) 422-8839.