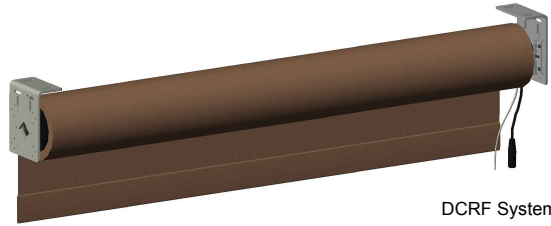


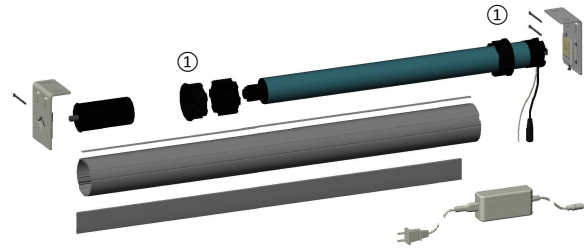
Installing Motorized Roller Shade

Sornia DCRF Motorized Bracket Roller Shade

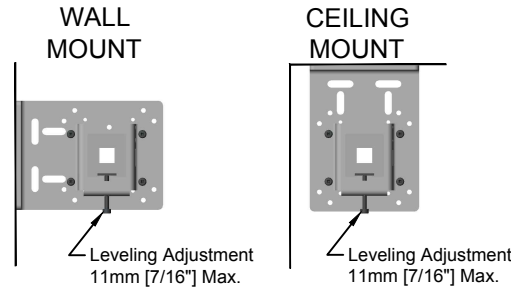


DCRF Systems

1. Your system should come with a Roller Shade Assembly, Mounting Brackets Power Supply and a Control Device (if Purchased).

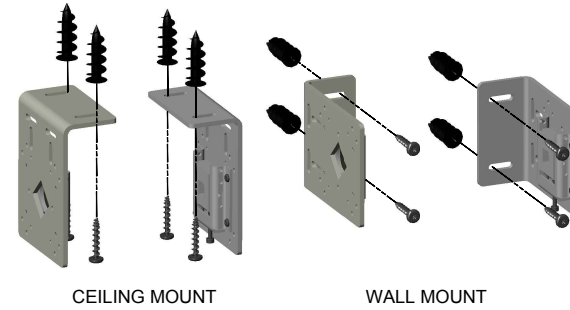
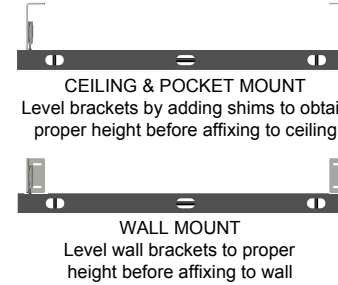


Note: Crown Adapters ① are NOT required on some variations of Medium Motorized Roller Shade Systems.



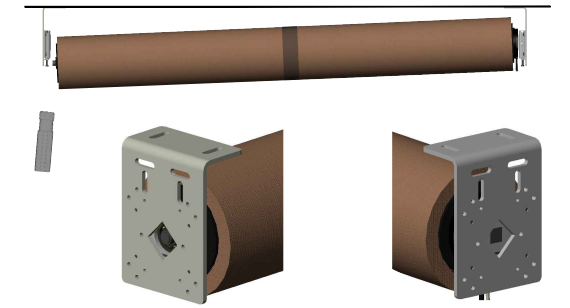
Use Supplied Hex Wrench BTX P/N 236.1014 Sorina Bracket Wrench or Standard 2.5MM Allen Wrench.

2. Level and mount brackets to a solid surface. Ensure solid blocking, use anchors when necessary.

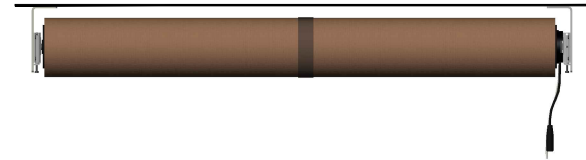


Note: Installer to provide wall anchors and screws appropriate to the surface material and weight of the product. Metal, self-drilling anchors are recommended for drywall.

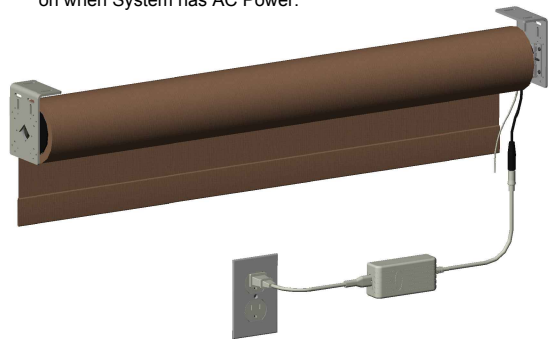
3. Mount Roller Shade by placing motor stud into Motor Bracket hanger body, then compressing idler pin and inserting into Idler Bracket Bearing.



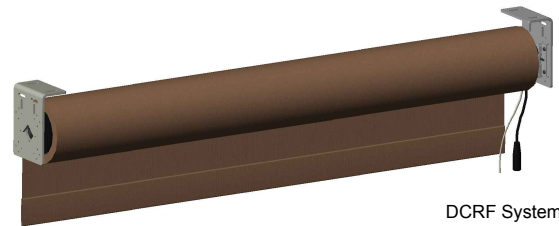
4. Carefully cut Plastic wrap holding the Roller Shade. Be careful to NOT cut the Fabric.



4. The DCRF System Motor Power Cord should be connected to the Output of AC/DC Power Adapter. The Power Adapter should be plugged into Standard 110VAC wall outlet. A Green LED will be on when System has AC Power.



Note: Installer should in NO way tamper with the provided power supply. If a custom power supply is needed, then one may be ordered to come with the track.



DCRF Systems

Roller Shade installation is complete.

If your System needs to be Programmed, Please refer to the Appropriate Programming Instructions for this Product.