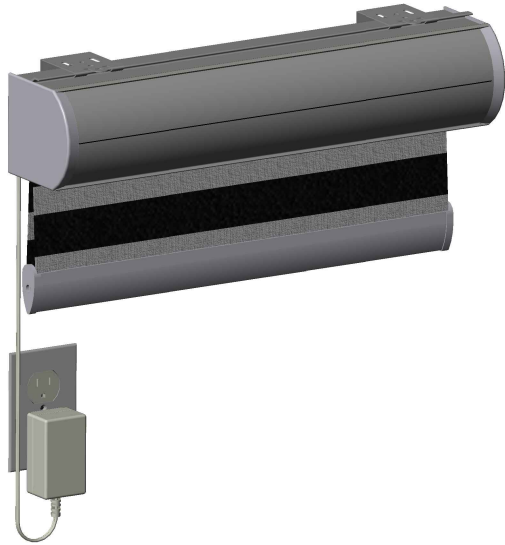
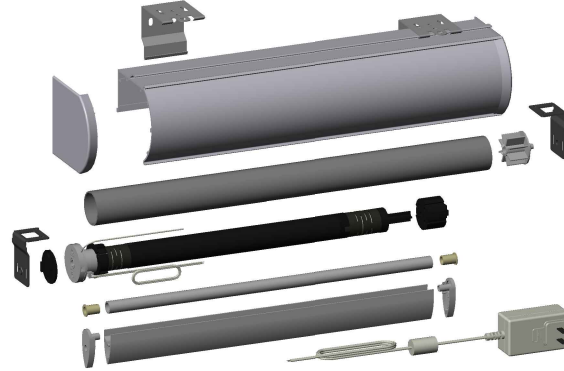


Installing Motorized Gemini Shade

Gemini ST30 Motorized Cassette Shade

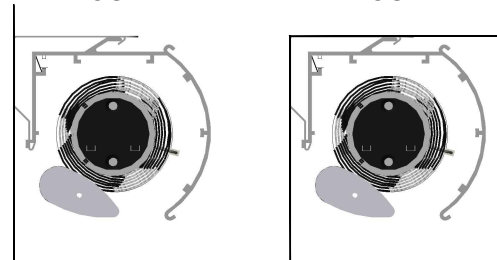


1. Your system should come with a Gemini Shade Assembly, Mounting Brackets, Transformer and a Control Device (if Purchased).



WALL MOUNT

CEILING MOUNT



2. Level and mount brackets to a solid surface. Ensure solid blocking, use anchors when necessary.

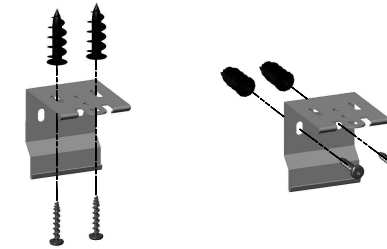


CEILING MOUNT

Level brackets by adding shims to obtain proper height before affixing to ceiling

WALL MOUNT

Level wall brackets to proper height before affixing to wall

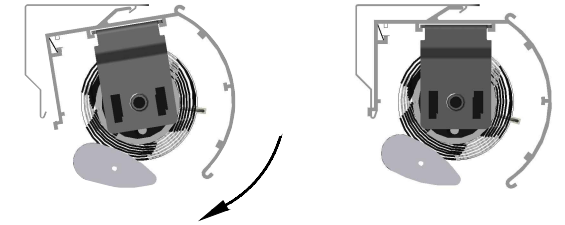


CEILING MOUNT

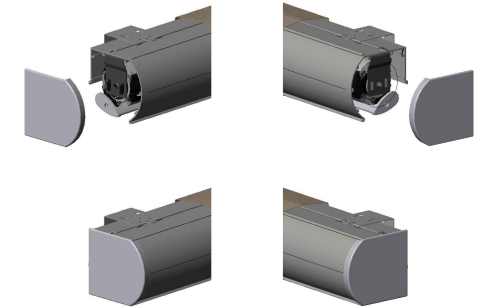
WALL MOUNT

Note: Installer to provide wall anchors and screws appropriate to the surface material and weight of the product. Metal, self-drilling anchors are recommended for drywall.

3. Install Cassette into top of Mounting Bracket. Rotate Cassette until back of Cassette snaps into Mounting Bracket.



4. Install Cassette End Caps.



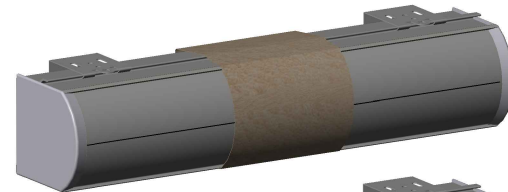
5. Connect Transformer leads (Positive-Text, Negative-Dashed) to Motor Plug (Positive-Lined, Negative-Plain).



To Motor

To Transformer

7. Remove paper wrap in center of Cassette to release Gemini Bottom Bar.



Gemini Shade installation is complete.

If your System needs to be Programmed, Please refer to the Appropriate Programming Instructions for this Product.

Enjoy your new BTX Intelligent Fashion Window Coverings product. For support or more information, email btxwindow@btxinc.com or call (800) 422-8839.

6. Plug Transformer into standard 110VAC wall outlet.

