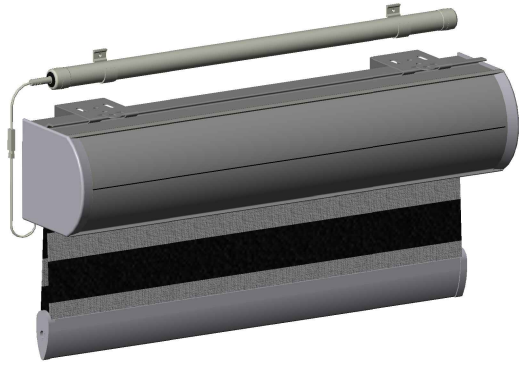
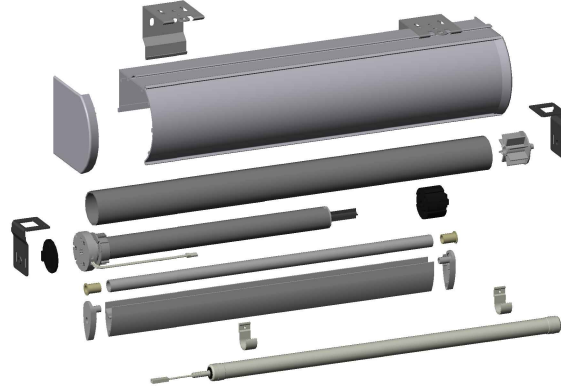


Installing Motorized Gemini Shade

Gemini R28 Motorized Cassette Shade

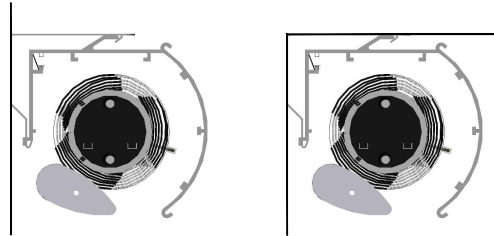


1. Your system should come with a Gemini Shade Assembly, Mounting Brackets, Battery Tube, and a Control Device (if Purchased).



WALL MOUNT

CEILING MOUNT



2. Level and mount brackets to a solid surface. Ensure solid blocking, use anchors when necessary.

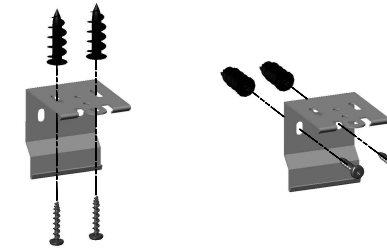


CEILING MOUNT

Level brackets by adding shims to obtain proper height before affixing to ceiling

WALL MOUNT

Level wall brackets to proper height before affixing to wall

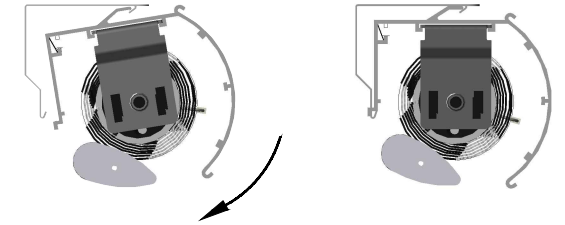


CEILING MOUNT

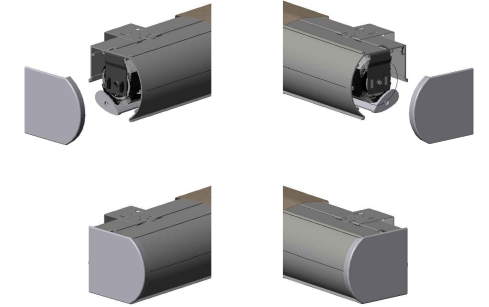
WALL MOUNT

Note: Installer to provide wall anchors and screws appropriate to the surface material and weight of the product. Metal, self-drilling anchors are recommended for drywall.

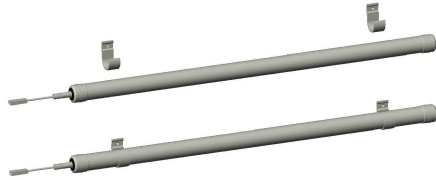
3. Install Gemini Cassette into top of Mounting Bracket. Rotate Cassette until back of Cassette snaps into Mounting Bracket.



4. Install Cassette End Caps.



5. Mount Battery Tube to wall as close to Gemini Shade as possible. Motor power lead and Battery Tube make up a length of 15".



7. Remove paper wrap in center of Cassette to release Gemini Bottom Bar.



Gemini Shade installation is complete.

If your System needs to be Programmed, Please refer to the Appropriate Programming Instructions for this Product.

6. Connect Battery Tube Power lead to Motor lead as shown below.

