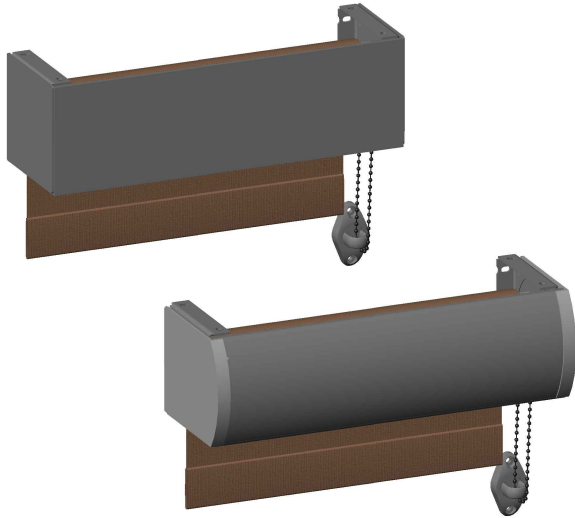
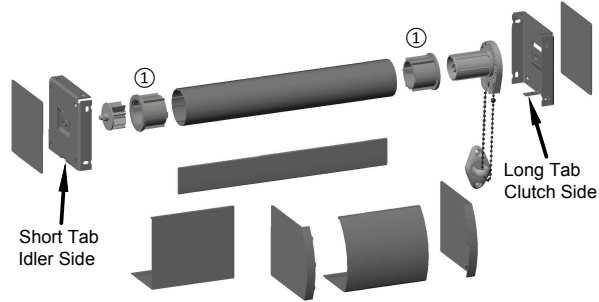


Installing Manual Roller Shade

Sornia Manual Square and Curved Fascia Roller Shade

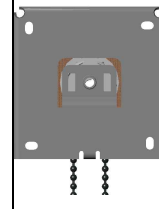


1. Your system should come with a Roller Shade Assembly, Mounting Brackets, Bracket Covers and Fascia.

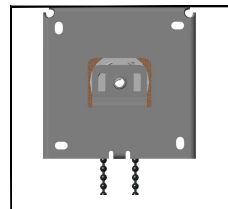


Note: Crown Adapters ① are NOT required on Small Roller Shade Systems.

WALL MOUNT



CEILING MOUNT



2. Level and mount brackets to a solid surface. Ensure solid blocking, use anchors when necessary.

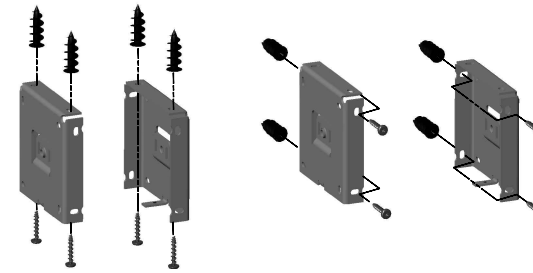


CEILING MOUNT

Level brackets by adding shims to obtain proper height before affixing to ceiling

WALL MOUNT

Level wall brackets to proper height before affixing to wall

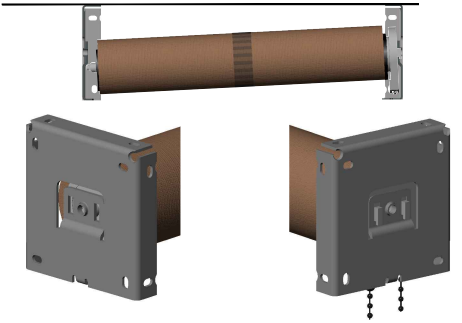


CEILING MOUNT

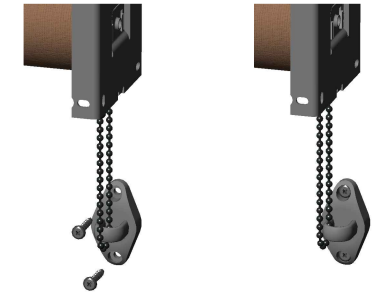
WALL MOUNT

Note: Installer to provide wall anchors and screws appropriate to the surface material and weight of the product. Metal, self-drilling anchors are recommended for drywall.

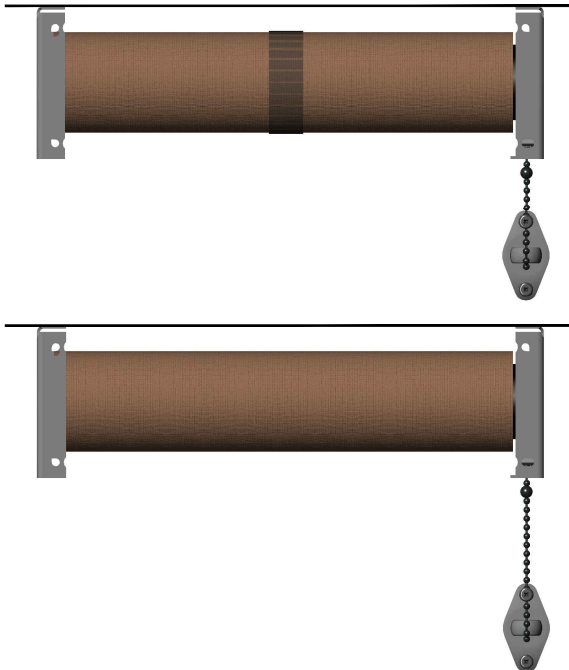
3. Mount Roller Shade by hooking Clutch End into Bracket slots then compress Idler Pin and insert into center hole of Bracket.



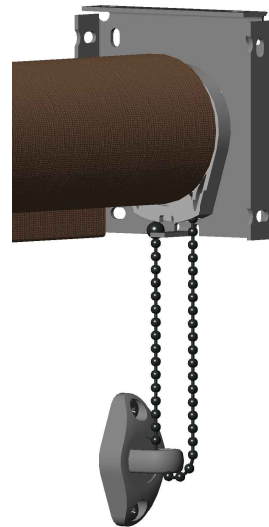
4. Attach Safety Device to wall as shown. Ensure Manual Pull Chain is taut when Safety Device is installed.



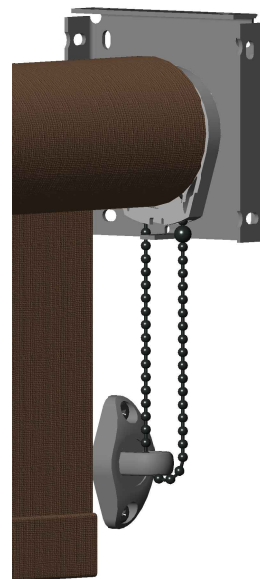
5. Carefully cut Plastic wrap holding the Roller Shade. Be careful not to cut the Fabric.



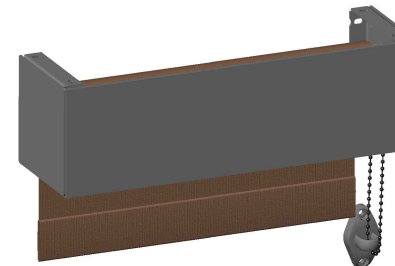
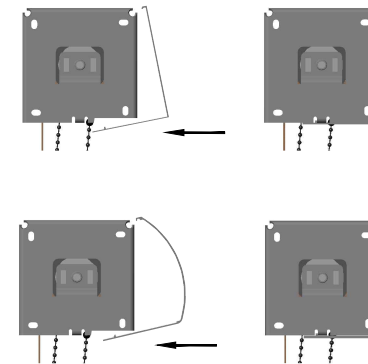
6a. Install Ball Stop by moving shade to Full Open Position and install Ball Stop at Bottom of Manual Clutch Housing as shown below.



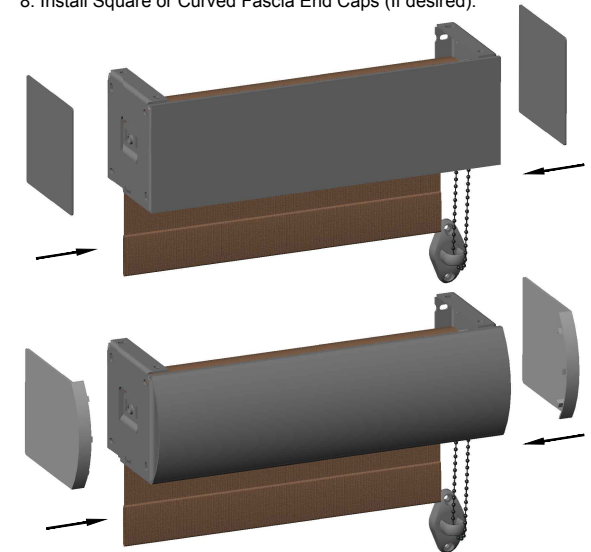
6b. Install Ball Stop by moving shade to Full Open Position and install Ball Stop at Bottom of Manual Clutch Housing as shown below.



7. Install Square Fascia or Curved Fascia as shown below. Hook top of Fascia into front of Fascia Bracket. Push bottom of Fascia until the Fascia Locking Flange snaps into SECOND slot in Fascia Bracket.



8. Install Square or Curved Fascia End Caps (If desired).



Roller Shade installation is complete.

Enjoy your new BTX Intelligent Fashion Window Coverings product. For support or more information, email btxwindow@btxinc.com or call (800) 422-8839.