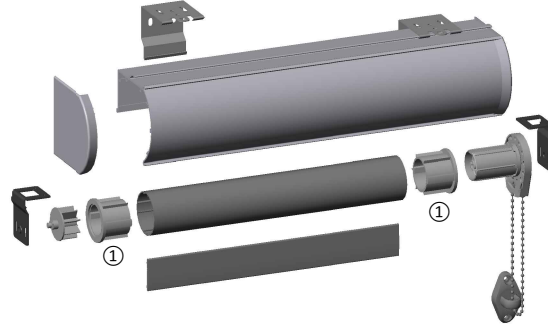


Installing Manual Roller Shade

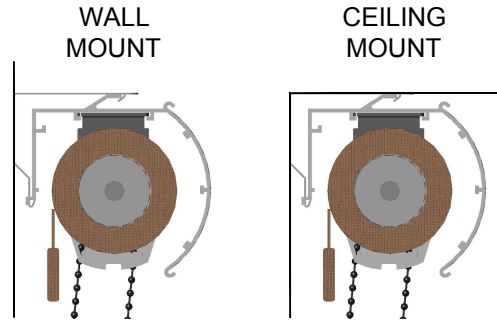
Sornia Manual Cassette Roller Shade



1. Your system should come with a Cassette Roller Shade Assembly, Cassette Covers and Mounting Brackets.



Note: Crown Adapters ① are NOT required on Small Roller Shade Systems.

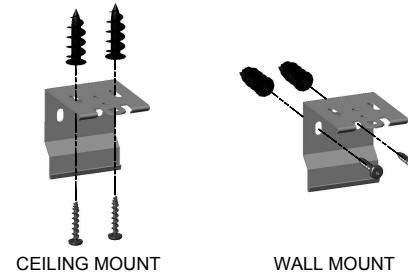


2. Level and mount brackets to a solid surface. Ensure solid blocking, use anchors when necessary. Recommended Bracket spacing is not to exceed 508mm [20"].



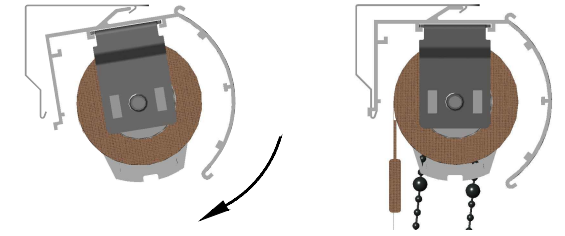
CEILING MOUNT
Level brackets by adding shims to obtain proper height before affixing to ceiling

WALL MOUNT
Level wall brackets to proper height before affixing to wall

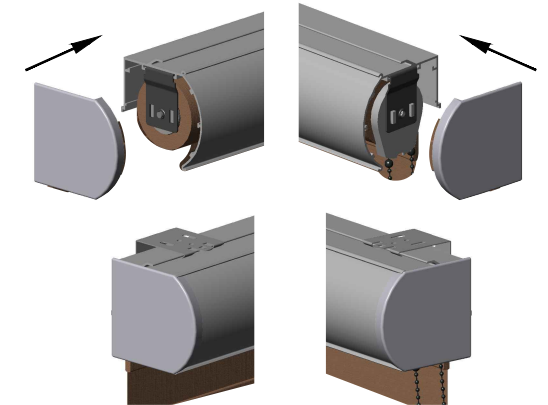


Note: Installer to provide wall anchors and screws appropriate to the surface material and weight of the product. Metal, self-drilling anchors are recommended for drywall.

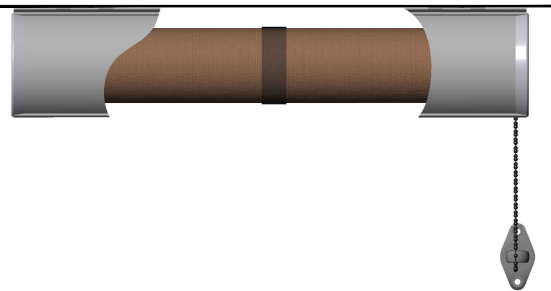
3. Install Cassette Roller into top of Mounting Bracket. Rotate Cassette until back of Cassette snaps into Mounting Bracket.



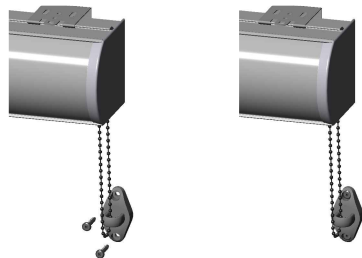
4. Install Cassette End Caps as shown.



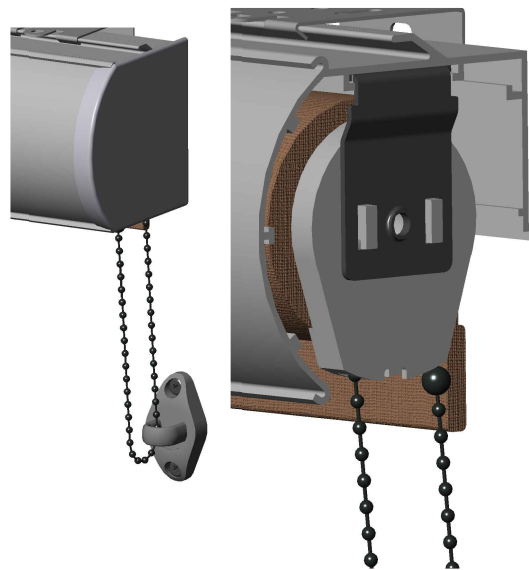
5. Carefully cut Plastic wrap holding the Roller Shade. Be careful not to cut the Fabric.



6. Attach Safety Device to wall as shown. Ensure Manual Pull Chain is taut when Safety Device is installed.

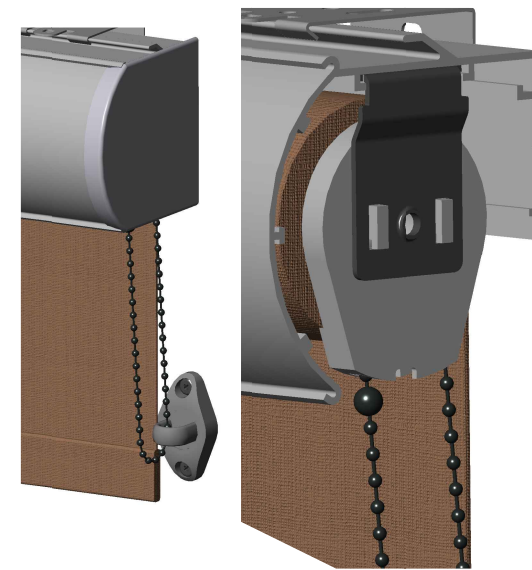


7a. Install Ball Stop by moving shade to Full Open Position and install Ball Stop at Bottom of Manual Clutch Housing as shown below.



Note: Cover removed for clarity.

7b. Install Ball Stop by moving shade to Full Close Position and install Ball Stop at Bottom of Manual Clutch Housing as shown below.



Note: Cover removed for clarity.

8. Pull Chain to move Shade Up or Down for Smooth Operation.



Roller Shade installation is complete.