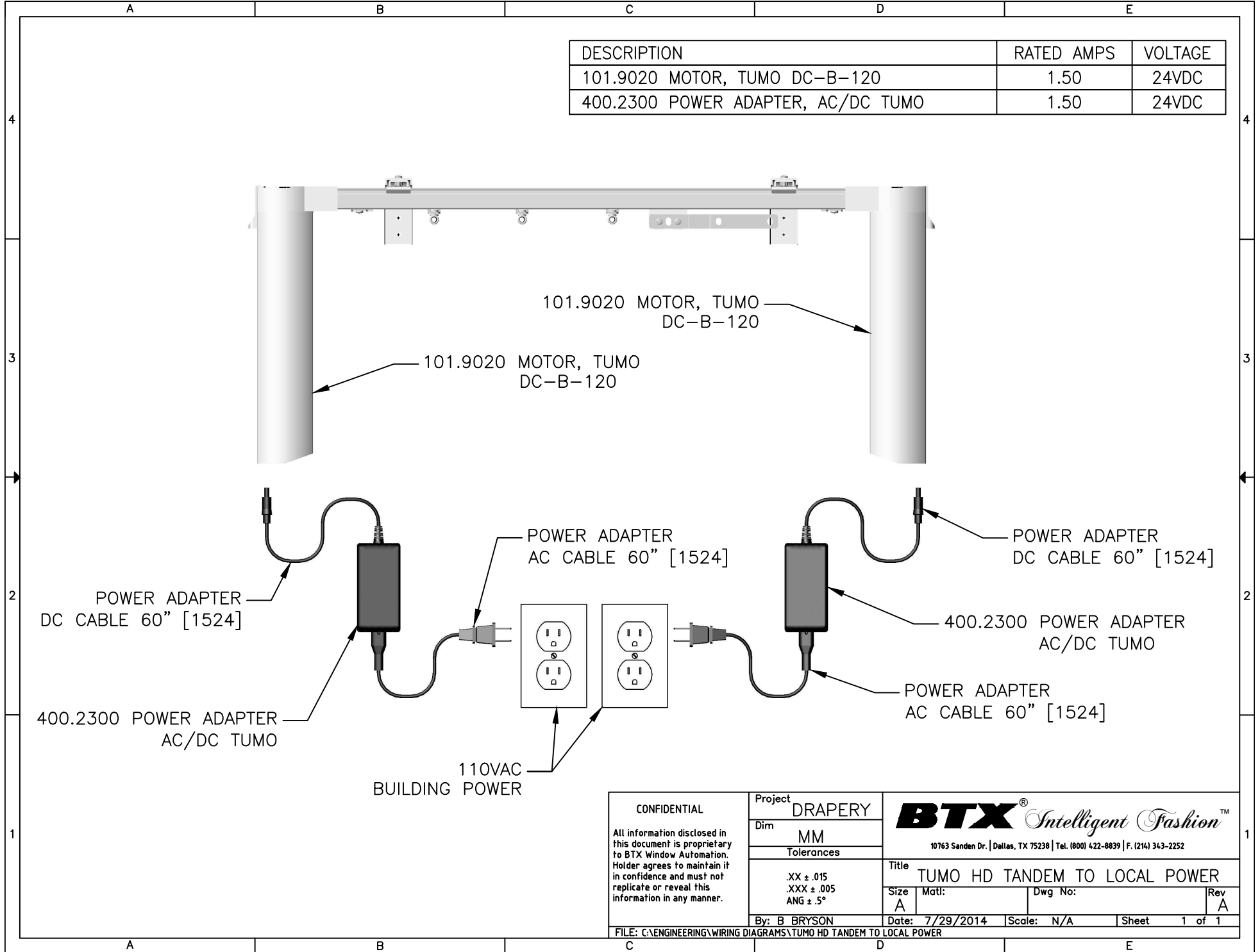


DESCRIPTION	RATED AMPS	VOLTAGE
101.9020 MOTOR, TUMO DC-B-120	1.50	24VDC
400.2300 POWER ADAPTER, AC/DC TUMO	1.50	24VDC



CONFIDENTIAL All information disclosed in this document is proprietary to BTX Window Automation. Holder agrees to maintain it in confidence and must not replicate or reveal this information in any manner.	Project	DRAPERLY		
	Dim	MM		
	Tolerances			
	.XX ± .015 .XXX ± .005 ANG ± .5°	BTX[®] Intelligent Fashion[™] 10763 Sanden Dr. Dallas, TX 75238 Tel. (800) 422-8839 F. (214) 343-2252		
	By: B BRYSON	Date: 7/29/2014	Scale: N/A	Sheet 1 of 1

FILE: C:\ENGINEERING\WIRING DIAGRAMS\TUMO HD TANDEM TO LOCAL POWER

BTX[®] Intelligent Fashion[™]
 10763 Sanden Dr. | Dallas, TX 75238 | Tel. (800) 422-8839 | F. (214) 343-2252

Title TUMO HD TANDEM TO LOCAL POWER
 Size A Matl: Dwg No: Rev A