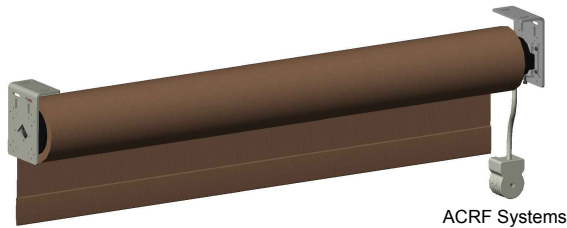
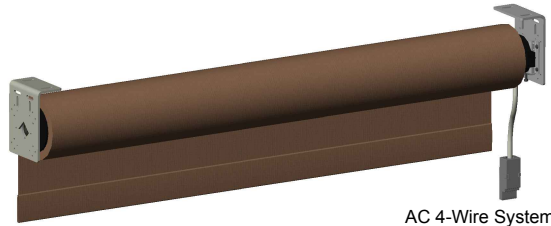
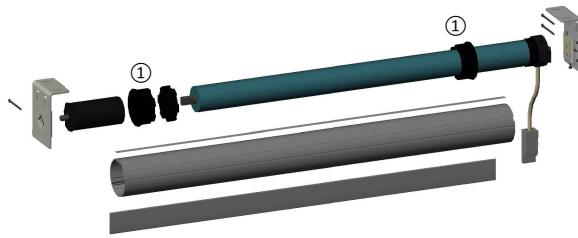


Installing Motorized Roller Shade

Sornia AC Motorized Bracket Roller Shade

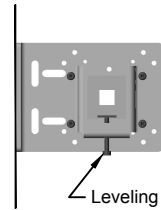


1. Your system should come with a Roller Shade Assembly, Mounting Brackets and a Control Device (if Purchased).

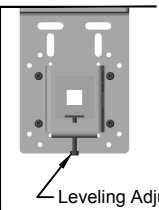


Note: Crown Adapters ① are NOT required on some variations of Medium Motorized Roller Shade Systems.

WALL MOUNT

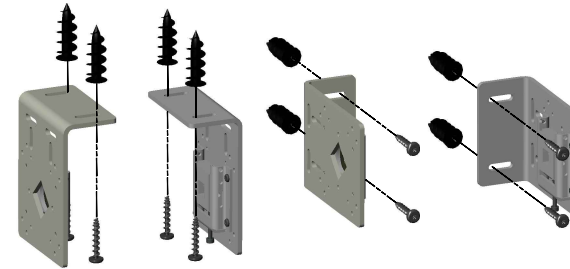
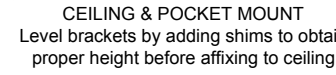


CEILING MOUNT



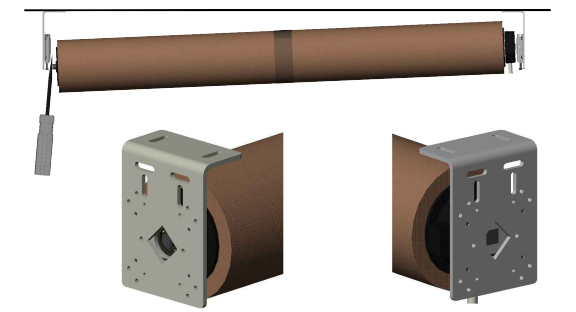
Use Supplied Hex Wrench BTX P/N 236.1014 Sorina Bracket Wrench or Standard 2.5MM Allen Wrench.

2. Level and mount brackets to a solid surface. Ensure solid blocking, use anchors when necessary.

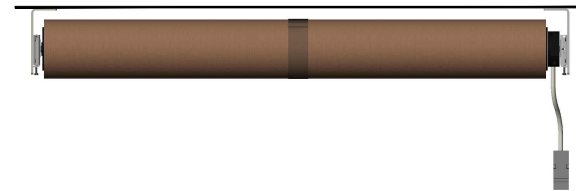


Note: Installer to provide wall anchors and screws appropriate to the surface material and weight of the product. Metal, self-drilling anchors are recommended for drywall.

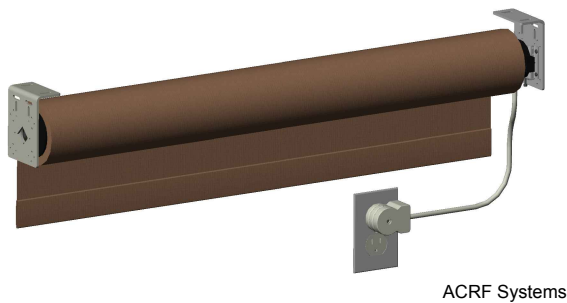
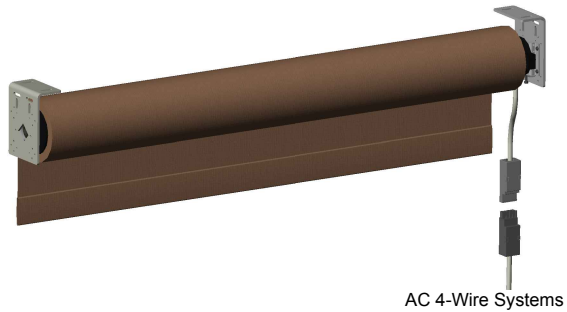
3. Mount Roller Shade by placing motor stud into Motor Bracket hanger body, then compressing idler pin and inserting into Idler Bracket Bearing.



4. Carefully cut Plastic wrap holding the Roller Shade. Be careful to NOT cut the Fabric.

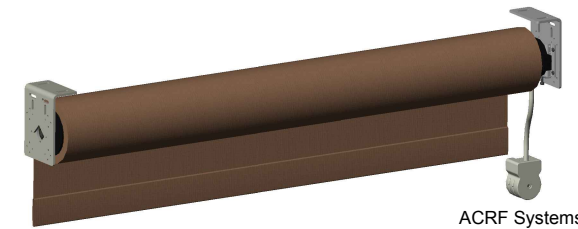
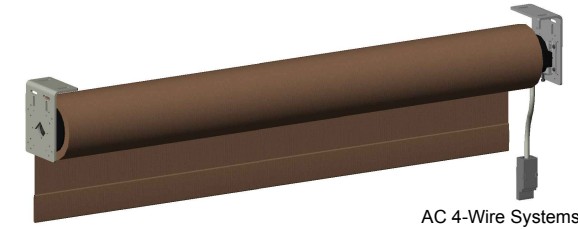


5. Based on your electrical situation, the AC 4-Wire System should be plugged into System controls with provided 4-Wire Pigtail, or plugged into Standard 110VAC wall outlet using provided plugs.



Roller Shade installation is complete.

If your System needs to be Programmed, Please refer to the Appropriate Programming Instructions for this Product.



Enjoy your new BTX Intelligent Fashion Window Coverings product. For support or more information, email btxwindow@btxinc.com or call (800) 422-8839.