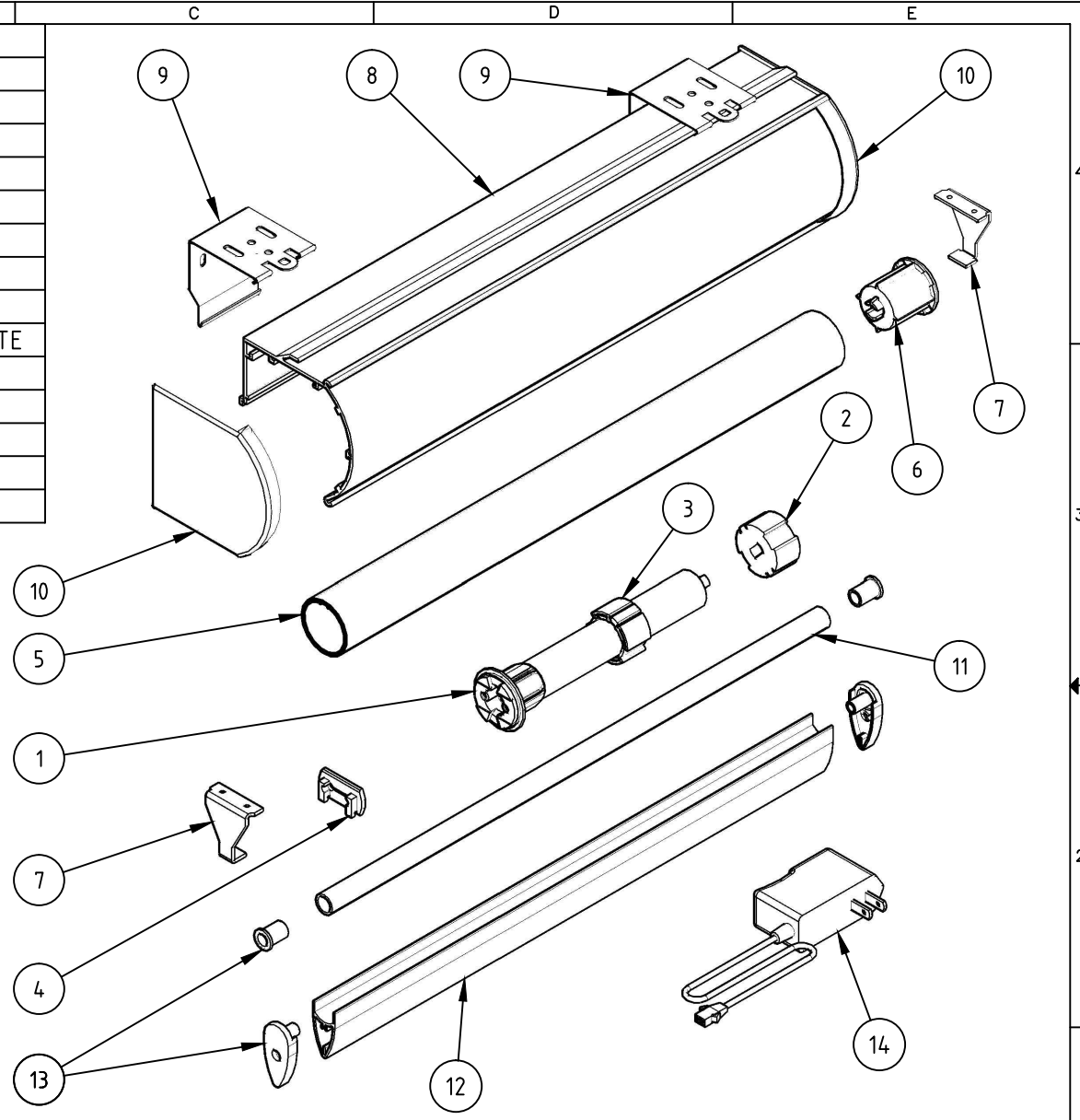


Item	Qty	A	B	Description
1	1	101.8300		MOTOR, 45-02 MAGNUM 12-24VDC
2	1	230.8310		DRIVE ADAPTER, MAGNUM 1.5"
3	1	230.8315		CROWN, MAGNUM ROLL/LOUV
4	1	230.8350		BRACKET ADAPTER, MAGNUM ROLL
5	1	311.1512		TUBE, 1.5" RND ALUM
6	1	258.3001		IDLER, CASSETTE 120, VANILLA
7	2	236.2401		BRACKET, CASSETTE 120, IDLER
8	1	309.2000.2		CASSETTE 120, WHITE
9	2	236.2000.2		BRACKET, CASSETTE 120 MOUNT. WHITE
10	2	250.2000.2		END CAP, CASSETTE 120, WHITE
11	1	315.9150		CB DBL ROLLER INT. TUBE WHITE
12	1	315.9250		CB DBL EXT. BOTTOM BAR, WHITE
13	2	238.9150		CAP, DBL ROLL, BOTTOM BAR, WHITE
14	1	400.2305		POWER ADAPTER, AC/DC MAGNUM



<b>CONFIDENTIAL</b> All information disclosed in this document is proprietary to BTX Window Automation. Holder agrees to maintain it in confidence and must not replicate or reveal this information in any manner.	Project	GEMINI						
	Dim	MM						
	Tolerances	.XX ± .015 .XXX ± .005 ANG ± .5°		10763 Sanden Dr.   Dallas, TX 75238   Tel. (800) 422-8839   F. (214) 343-2252				
	Title	GEMINI S MAGNUM MOTORIZED ROLLER SHADE						
Size	A	Matl:	Dwg No:	3035	Rev	A		
By:	B BRYSON		Date:	6/9/2014	Scale:	N/A	Sheet	1 of 2
FILE: C:\ENGINEERING\ASSEMBLIES\GEMINI SHADE SYSTEMS\GEMINI S MOTORIZED\3035 GEMINI S MAGNUM MOTORIZED								