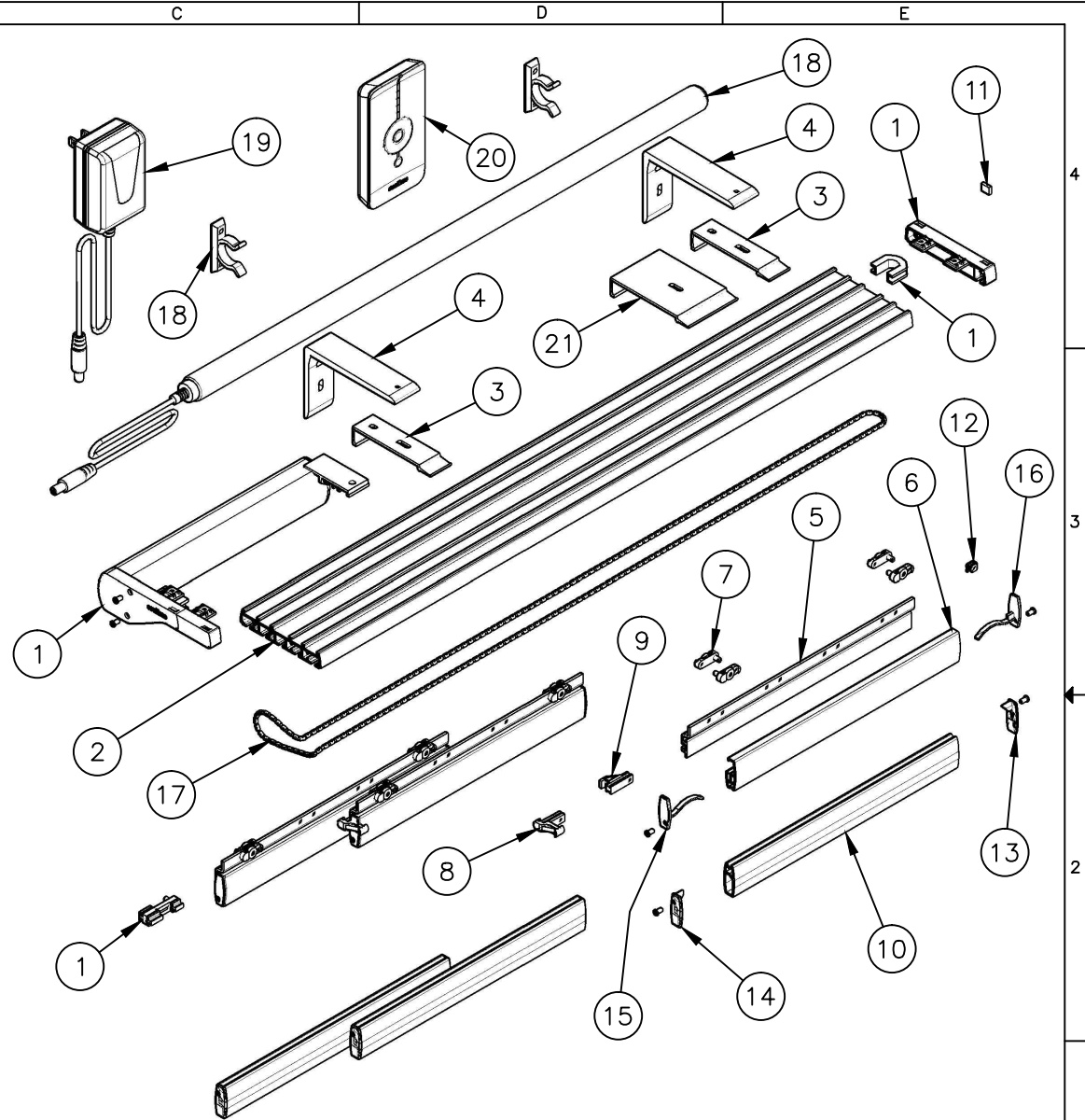


Item	Qty	A	B	Description
1	1	101.8051	CB PT MOTOR, DC LEFT	
2	1	310.8055	CB PT TRACK, 5-WAY, WHITE	
3	2	278.8055	CB PT CLIP, 5-WAY, WHITE	
4	2	236.8052	CB PT, WALL BRACKET LG, WHITE	
5	5	282.5082	CB PT SLIDING PROFILE, WHITE	
6	5	282.8051	CB PT, TOP HOLD DOWN STRIP, WHITE	
7	10	240.8054	CB PT, RUNNER, WHITE	
8	5	240.8052	CB PT, T-STOPPER, WHITE	
9	5	240.8053	CB PT, L-STOPPER, WHITE	
10	5	310.8056	CB PT BOTTOM RAIL, WHITE	
11	1	278.8060	CB PT, MAGNET	
12	1	278.8059	CB PT, MAGNET CLIP	
13	5	310.8051	CB PT, END CAP, LEFT, WHITE	
14	5	310.8052	CB PT, END CAP, RIGHT, WHITE	
15	5	238.8053	CB PT, TOP, END CAP, LEFT, WHITE	
16	5	238.8054	CB PT, TOP, END CAP, RIGHT, WHITE	
17	1	242.8052	CB PT, PULLING CHAIN, WHITE	
18	1	400.8002	CB BATTERY WAND	
19	1	400.8003	CB DC POWER ADAPTER, 24V	
20	1	490.8001	5 CHANNEL REMOTE, WHITE	
21	1	278.8058	CB PT CONNECTOR, 5 TRACK, WHITE	



<p>CONFIDENTIAL</p> <p>All information disclosed in this document is proprietary to BTX Window Automation. Holder agrees to maintain it in confidence and must not replicate or reveal this information in any manner.</p>	Project	<p>BTX® <i>Intelligent Fashion</i>™</p> <p>10763 Sanden Dr. Dallas, TX 75238 Tel. (800) 422-8839 F. (214) 343-2252</p>			
	Dim	MM			
	Tolerances	<p>.XX ± .015 .XXX ± .005 ANG ± .5°</p>			
	Size	A	Matl:	Dwg No:	Rev
By: B BRYSON		Date: 8/4/2014	Scale: NA	Sheet 1 of 3	A
<p>FILE: C:\ENGINEERING\ASSEMBLIES\PANEL TRACK SYSTEMS\5 CHANNEL HEAD RAIL\1180-5 CHNL HD RAIL</p>					

Grid lines A, B, C, D, E and 1, 2, 3, 4 are present on the drawing.