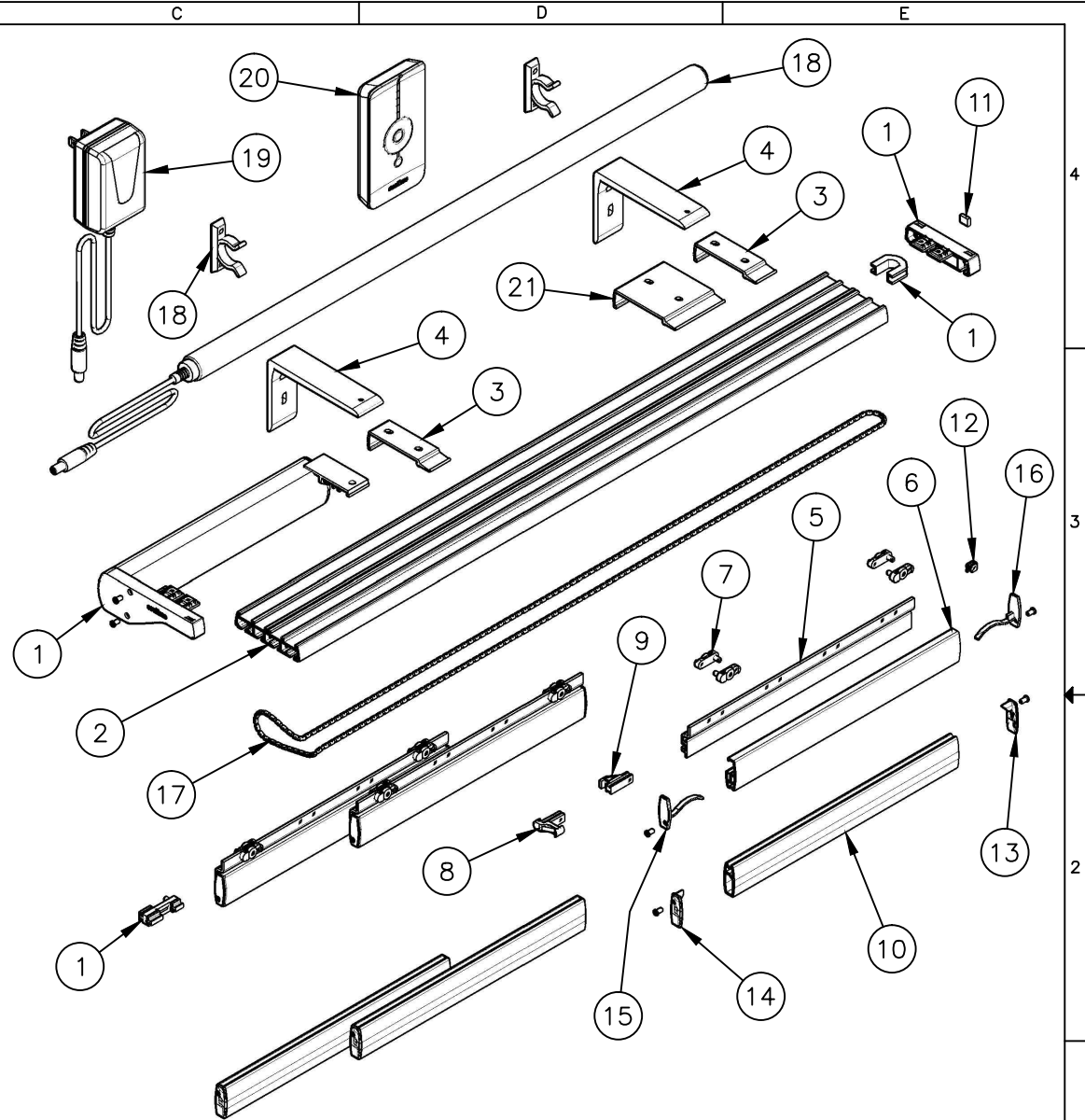


Item	Qty	A	Description
1	1	101.8051	CB PT MOTOR, DC LEFT
2	1	310.8054	CB PT TRACK, 4-WAY, WHITE
3	2	278.8054	CB PT CLIP, 4-WAY, WHITE
4	2	236.8052	CB PT, WALL BRACKET LG, WHITE
5	4	282.5082	CB PT SLIDING PROFILE, WHITE
6	4	282.8051	CB PT, TOP HOLD DOWN STRIP, WHITE
7	8	240.8054	CB PT, RUNNER, WHITE
8	4	240.8052	CB PT, T-STOPPER, WHITE
9	4	240.8053	CB PT, L-STOPPER, WHITE
10	4	310.8056	CB PT BOTTOM RAIL, WHITE
11	1	278.8060	CB PT, MAGNET
12	1	278.8059	CB PT, MAGNET CLIP
13	4	310.8051	CB PT, END CAP, LEFT, WHITE
14	4	310.8052	CB PT, END CAP, RIGHT, WHITE
15	4	238.8053	CB PT, TOP, END CAP, LEFT, WHITE
16	4	238.8054	CB PT, TOP, END CAP, RIGHT, WHITE
17	1	242.8052	CB PT, PULLING CHAIN, WHITE
18	1	400.8002	CB BATTERY WAND
19	1	400.8003	CB DC POWER ADAPTER, 24V
20	1	490.8001	5 CHANNEL REMOTE, WHITE
21	1	278.8057	CB PT CONNCTOR, 4 TRACK, WHITE



<p>CONFIDENTIAL</p> <p>All information disclosed in this document is proprietary to BTX Window Automation. Holder agrees to maintain it in confidence and must not replicate or reveal this information in any manner.</p>	Project	PANEL TRACK		
	Dim	MM		
	Tolerances	.XX ± .015 .XXX ± .005 ANG ± .5°		
	Size	A	Matl:	
By: B BRYSON		Date: 8/4/2014	Scale: NA	Sheet 1 of 3
<p>10763 Sanden Dr. Dallas, TX 75238 Tel. (800) 422-8839 F. (214) 343-2252</p>		<p>BTX® <i>Intelligent Fashion</i>™</p>		
Title		CB PT, 4 CHANNEL TRACK		
Dwg No:		1180		Rev A
FILE: C:\ENGINEERING\ASSEMBLIES\PANEL TRACK SYSTEMS\4 CHANNEL HEAD RAIL\1180-4 CHNL HD RAIL				