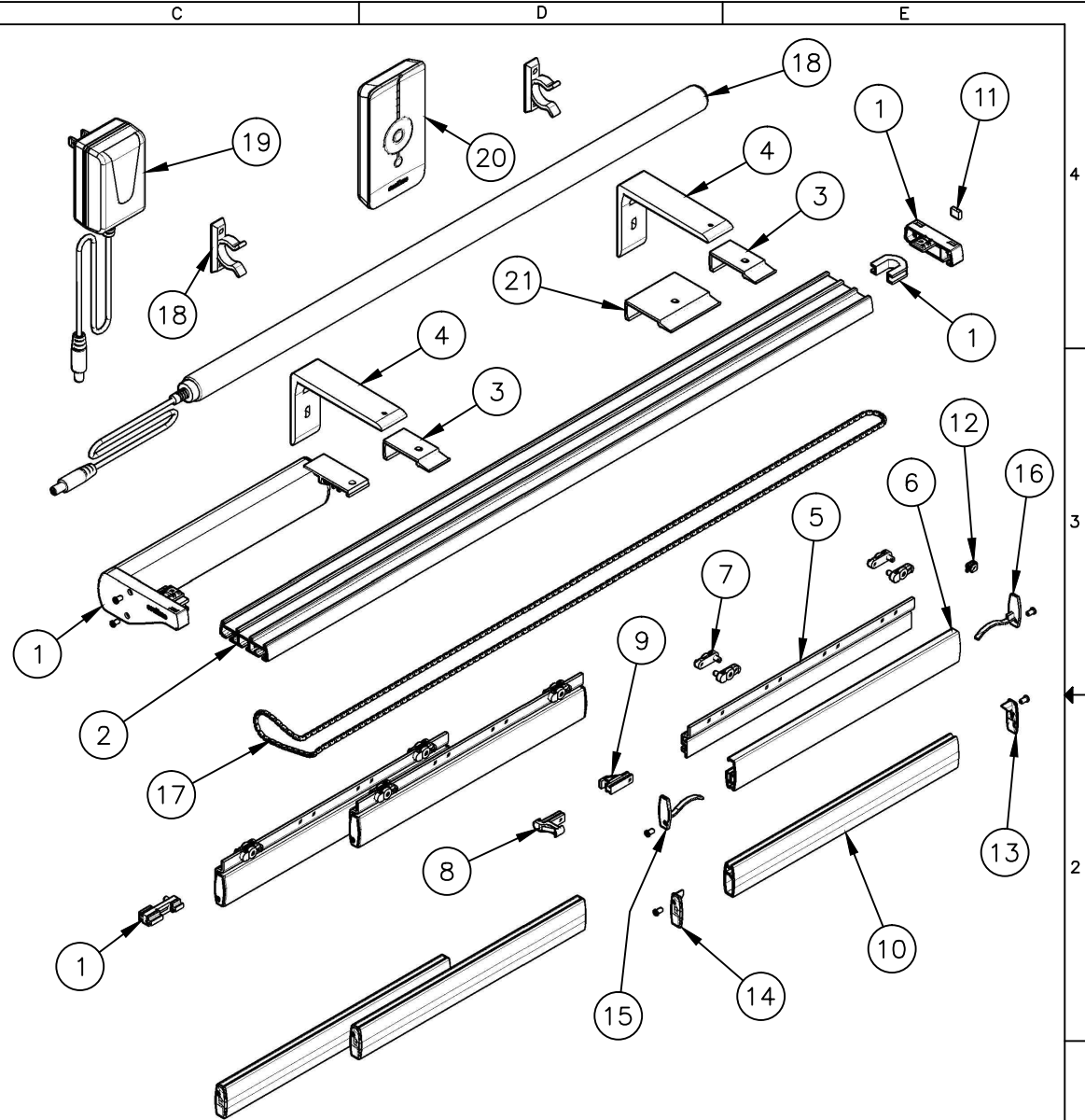


Item	Qty	A	B	Description
1	1	101.8051	CB PT MOTOR, DC LEFT	
2	1	310.8053	CB PT TRACK, 3-WAY, WHITE	
3	2	278.8053	CB PT CLIP, 3-WAY, WHITE	
4	2	236.8052	CB PT, WALL BRACKET LG, WHITE	
5	3	282.5082	CB PT SLIDING PROFILE, WHITE	
6	3	282.8051	CB PT, TOP HOLD DOWN STRIP, WHITE	
7	6	240.8054	CB PT, RUNNER, WHITE	
8	2	240.8052	CB PT, T-STOPPER, WHITE	
9	2	240.8053	CB PT, L-STOPPER, WHITE	
10	3	310.8056	CB PT BOTTOM RAIL, WHITE	
11	1	278.8060	CB PT, MAGNET	
12	1	278.8059	CB PT, MAGNET CLIP	
13	3	310.8051	CB PT, END CAP, LEFT, WHITE	
14	3	310.8052	CB PT, END CAP, RIGHT, WHITE	
15	3	238.8053	CB PT, TOP, END CAP, LEFT, WHITE	
16	3	238.8054	CB PT, TOP, END CAP, RIGHT, WHITE	
17	1	242.8052	CB PT, PULLING CHAIN, WHITE	
18	1	400.8002	CB BATTERY WAND	
19	1	400.8003	CB DC POWER ADAPTER, 24V	
20	1	490.8001	5 CHANNEL REMOTE, WHITE	
21	1	278.8056	CB PT CONNECTOR, 3 TRACK, WHITE	



CONFIDENTIAL All information disclosed in this document is proprietary to BTX Window Automation. Holder agrees to maintain it in confidence and must not replicate or reveal this information in any manner.	Project	PANEL TRACK		
	Dim	MM		
	Tolerances	.XX ± .015 .XXX ± .005 ANG ± .5°		
	Size	A	Matl:	
By: B BRYSON		Date: 8/4/2014	Scale: NA	Sheet 1 of 3
Title CB PT, 3 CHANNEL TRACK		Dwg No:	1180	Rev A
FILE: C:\ENGINEERING\ASSEMBLIES\PANEL TRACK SYSTEMS\3 CHANNEL HEAD RAIL\1180-3 CHNL HD RAIL				

