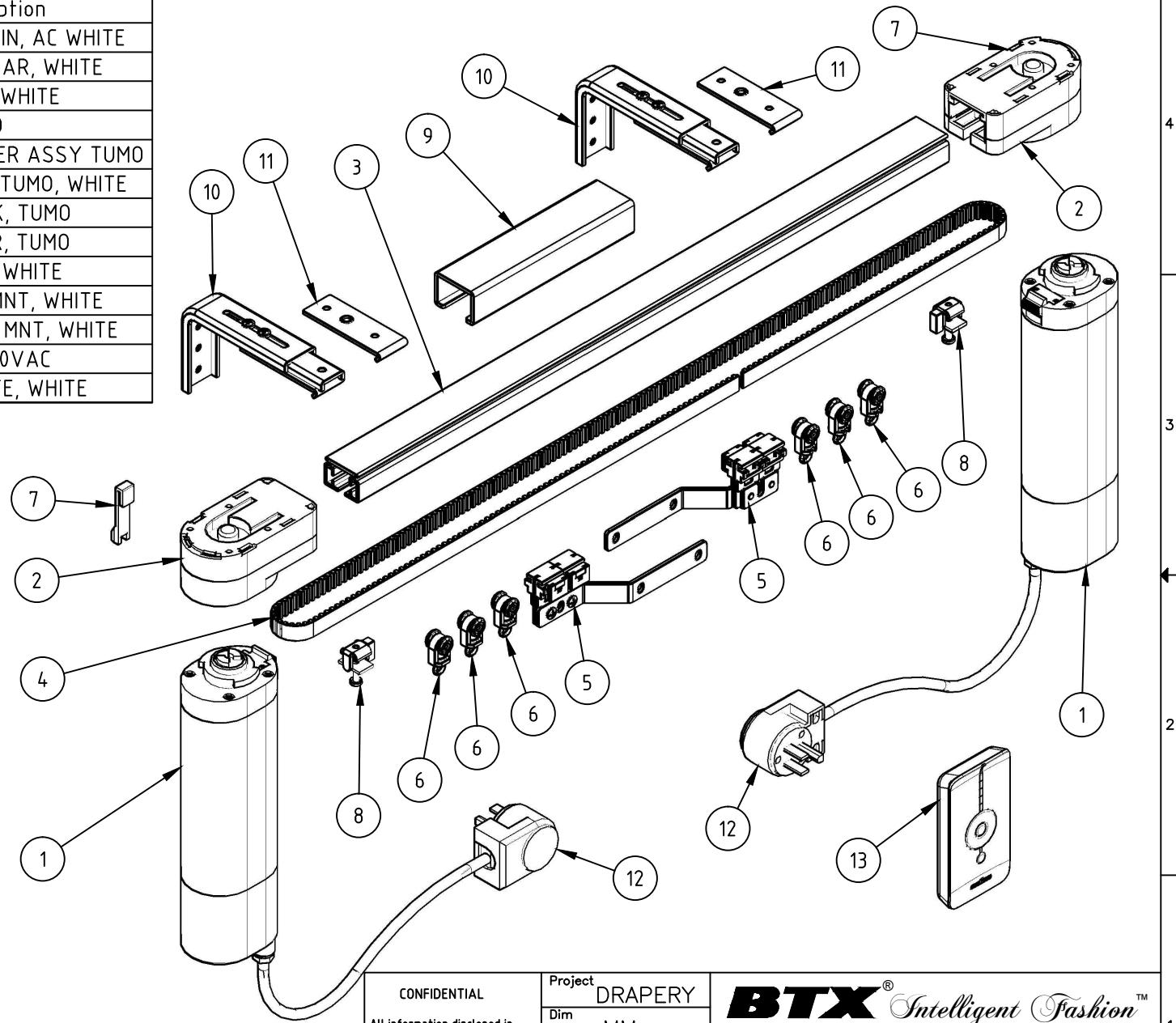


Item	Qty	Name	Description
1	2	101.8007	CB MOTOR, CURTAIN, AC WHITE
2	2	256.9001	CB CT END CAP GEAR, WHITE
3	1	310.6070	HEADRAIL, TUMO, WHITE
4	1	290.3005	DRIVE BELT, TUMO
5	2	266.4955	DRIVE RUN, MASTER ASSY TUMO
6	6	240.7505	CARRIER, SWIVEL TUMO, WHITE
7	2	246.0650	CLIP, MOTOR BACK, TUMO
8	2	240.7530	CARRIER STOPPER, TUMO
9	1	246.2220	SPLICE, HD TUMO, WHITE
10	2	236.1865	BRACKET, WALL MNT, WHITE
11	2	236.1625	BRACKET, CEILING MNT, WHITE
12	2	440.3220	PLUG, 3-PRONG 110VAC
13	1	490.8001	5 CHANNEL REMOTE, WHITE



<p>CONFIDENTIAL</p> <p>All information disclosed in this document is proprietary to BTX Window Automation. Holder agrees to maintain it in confidence and must not replicate or reveal this information in any manner.</p>	Project	DRAPERY	
	Dim	MM	
	Tolerances		
	.XX ± .015 .XXX ± .005 ANG ± .5°		
Title		FUTURA CB TANDEM DRAPERY SYSTEM	
Size	Matl:	Dwg No:	Rev
A		1057	A
By: B BRYSON	Date: 7/21/2014	Scale: N/A	Sheet 1 of 3
FILE: C:\ENGINEERING\ASSEMBLIES\DRAPERY SYSTEMS\MOTORIZED\1056_57 TUMO FUTURA CB SYSTEM\1057 TUMO FUTURA TANDEM CB SYSTEM			

BTX® *Intelligent Fashion*™

10763 Sanden Dr. | Dallas, TX 75238 | Tel. (800) 422-8839 | F. (214) 343-2252