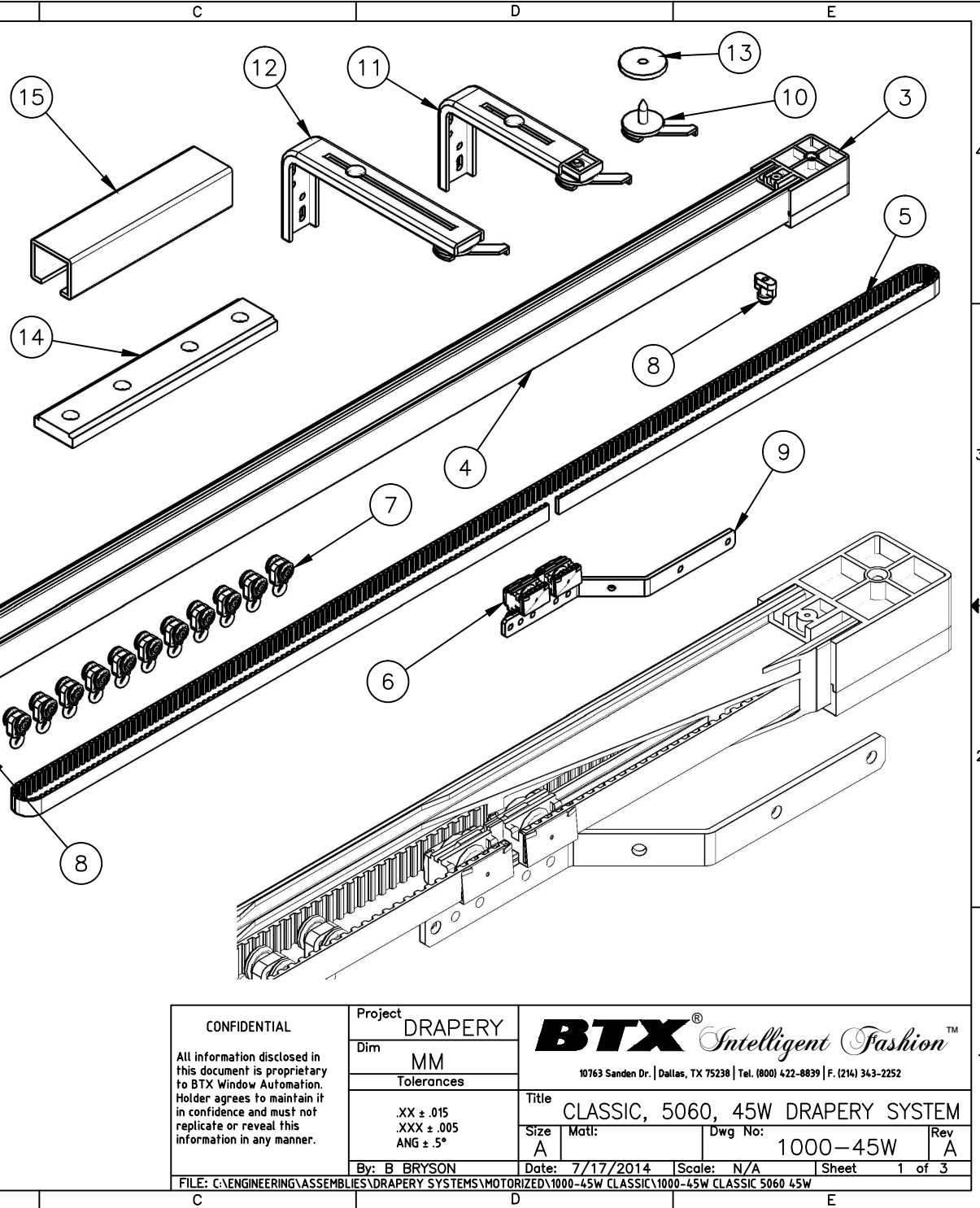


Item	Qty	A	B	Description
1	1	103.1145		MOTOR ASSY. 45W 110VAC WHITE
2	1	256.1030		GEAR, END 5060 TIMING DRIVE, WHITE
3	1	256.1560		GEAR, END 5060 NON-DRV, WHITE
4	1	310.5560		HEADRAIL, 5060, WHITE
5	1	290.2000		BELT, TIMING
6	1	246.9010		DRIVE ASSEMBLY, MASTER, TIMING
7	34	240.7140		RUNNER, TURNTABLE GROMMET
8	2	240.8050		CARRIER, CLASSIC 5060
9	1	246.9015		TIMING, UNIVERSAL OVERLAP, ARM
10	2	236.1300		BRACKET, CEILING CLIP
11	2	236.1861		BRACKET, WALL MNT, W/LOCK, WHITE
12	2	236.1865		BRACKET, EXT. WALL MNT W/LOCK
13	2	278.6010		WASHER, NEOPRENE, 5060, BRKT
14	1	248.3500		COUPLING, RAIL SPLICE, ALUM
15	1	280.7000		SPLICE, HD, WHITE



<p>CONFIDENTIAL</p> <p>All information disclosed in this document is proprietary to BTX Window Automation. Holder agrees to maintain it in confidence and must not replicate or reveal this information in any manner.</p>	Project	DRAPERY		
	Dim	MM		
	Tolerances	.XX ± .015 .XXX ± .005 ANG ± .5°		
	By: B BRYSON	Date: 7/17/2014	Scale: N/A	Sheet 1 of 3
<p><b>BTX</b>® <i>Intelligent Fashion</i>™</p> <p>10763 Sanden Dr.   Dallas, TX 75238   Tel. (800) 422-8839   F. (214) 343-2252</p>		<p>Title CLASSIC, 5060, 45W DRAPERY SYSTEM</p>		
Size	Matl:	Dwg No:	Rev	
A		1000-45W	A	

FILE: C:\ENGINEERING\ASSEMBLIES\DRAPERY SYSTEMS\MOTORIZED\1000-45W CLASSIC\1000-45W CLASSIC 5060 45W