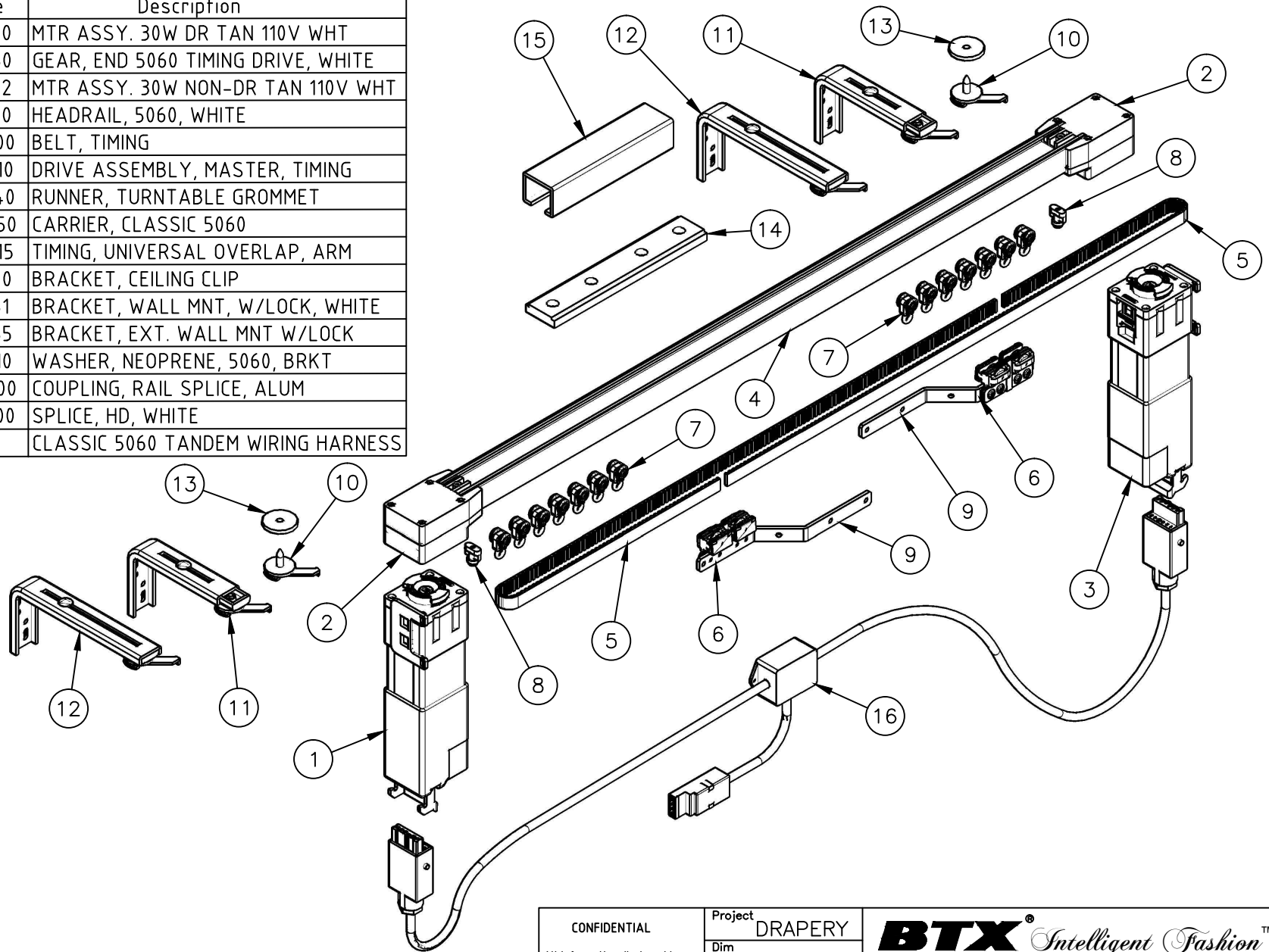


Item	Qty	A	B	Description
1	1	103.3030	MTR ASSY. 30W DR TAN 110V WHT	
2	2	256.1030	GEAR, END 5060 TIMING DRIVE, WHITE	
3	1	103.3032	MTR ASSY. 30W NON-DR TAN 110V WHT	
4	1	310.5560	HEADRAIL, 5060, WHITE	
5	2	290.2000	BELT, TIMING	
6	2	246.9010	DRIVE ASSEMBLY, MASTER, TIMING	
7	34	240.7140	RUNNER, TURNTABLE GROMMET	
8	2	240.8050	CARRIER, CLASSIC 5060	
9	2	246.9015	TIMING, UNIVERSAL OVERLAP, ARM	
10	2	236.1300	BRACKET, CEILING CLIP	
11	2	236.1861	BRACKET, WALL MNT, W/LOCK, WHITE	
12	2	236.1865	BRACKET, EXT. WALL MNT W/LOCK	
13	2	278.6010	WASHER, NEOPRENE, 5060, BRKT	
14	1	248.3500	COUPLING, RAIL SPLICE, ALUM	
15	1	280.7000	SPLICE, HD, WHITE	
16	1	N/A	CLASSIC 5060 TANDEM WIRING HARNESS	



<p>CONFIDENTIAL</p> <p>All information disclosed in this document is proprietary to BTX Window Automation. Holder agrees to maintain it in confidence and must not replicate or reveal this information in any manner.</p>	Project	DRAPERIES		
	Dim	MM		
	Tolerances			
	.XX ± .015 .XXX ± .005 ANG ± .5°			
<p>BTX <i>Intelligent Fashion</i>™</p> <p>10763 Sanden Dr. Dallas, TX 75238 Tel. (800) 422-8839 F. (214) 343-2252</p>		Title		CLASSIC, 5060, 30W TANDEM DRAPERIES SYSTEM
Size	A	Matl:	Dwg No:	1000-30W-T
By: B BRYSON	Date: 7/15/2014	Scale: N/A	Sheet	1 of 3
FILE: C:\ENGINEERING\ASSEMBLIES\DRAPERIES SYSTEMS\MOTORIZED\1000-30W CLASSIC\1000-30W-T CLASSIC 5060 30W TAN				