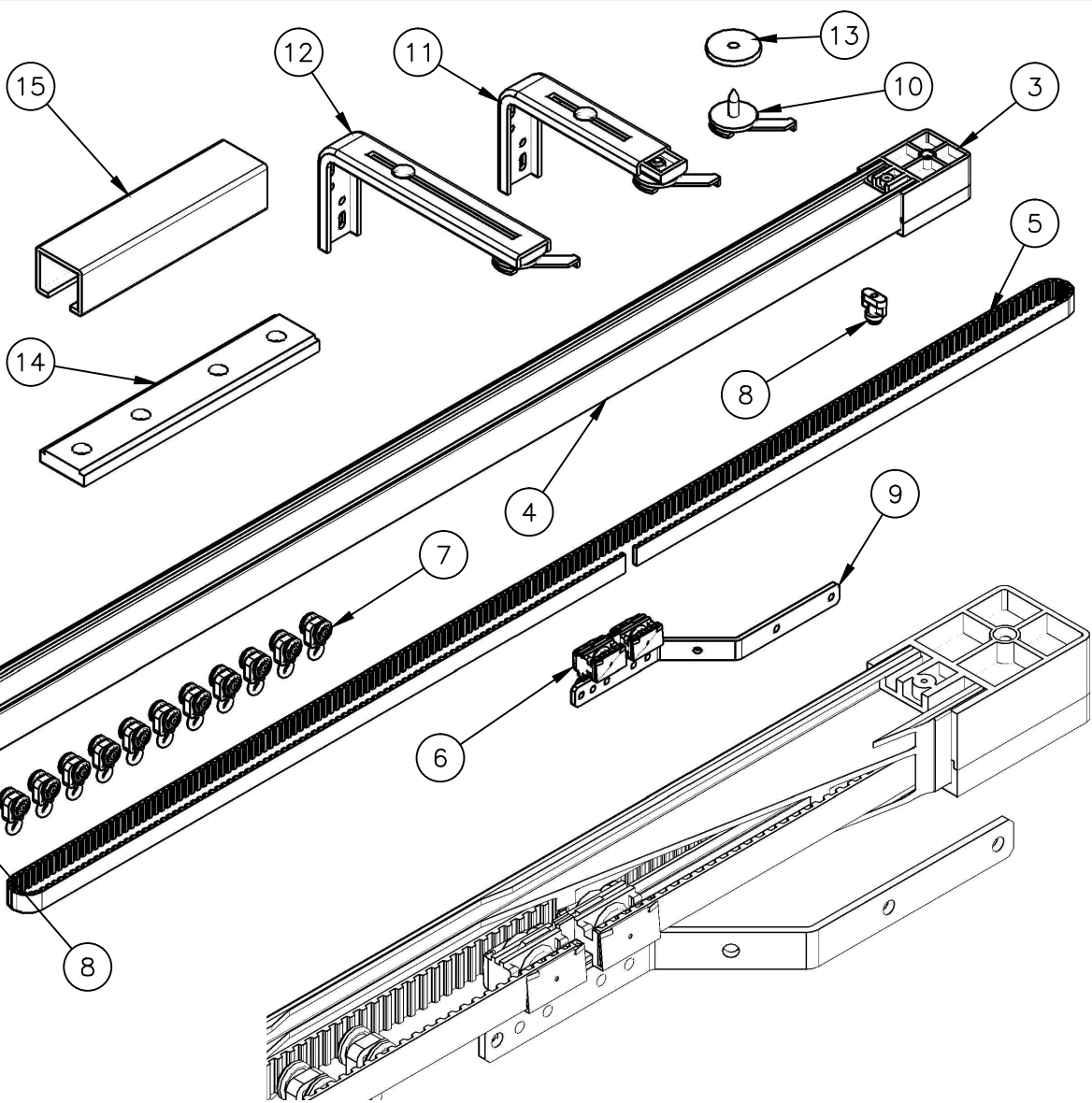


Item	Qty	A	Description
1	1	103.1130	MOTOR ASSY. 30W 110VAC WHITE
2	1	256.1030	GEAR, END 5060 TIMING DRIVE, WHITE
3	1	256.1560	GEAR, END 5060 NON-DRV, WHITE
4	1	310.5560	HEADRAIL, 5060, WHITE
5	1	290.2000	BELT, TIMING
6	1	246.9010	DRIVE ASSEMBLY, MASTER, TIMING
7	34	240.7140	RUNNER, TURNTABLE GROMMET
8	2	240.8050	CARRIER, CLASSIC 5060
9	1	246.9015	TIMING, UNIVERSAL OVERLAP, ARM
10	2	236.1300	BRACKET, CEILING CLIP
11	2	236.1861	BRACKET, WALL MNT, W/LOCK, WHITE
12	2	236.1865	BRACKET, EXT. WALL MNT W/LOCK
13	2	278.6010	WASHER, NEOPRENE, 5060, BRKT
14	1	248.3500	COUPLING, RAIL SPLICE, ALUM
15	1	280.7000	SPLICE, HD, WHITE



<p>CONFIDENTIAL</p> <p>All information disclosed in this document is proprietary to BTX Window Automation. Holder agrees to maintain it in confidence and must not replicate or reveal this information in any manner.</p>	Project	DRAPERY		
	Dim	MM		
	Tolerances			
	.XX ± .015 .XXX ± .005 ANG ± .5°	Title	CLASSIC, 5060, 30W DRAPERY SYSTEM	
By: B BRYSON	Date: 7/15/2014	Scale: N/A	Dwg No: 1000-30W	Rev A
FILE: C:\ENGINEERING\ASSEMBLIES\DRAPERY SYSTEMS\MOTORIZED\1000-30W CLASSIC\1000-30W CLASSIC 5060 30W				

