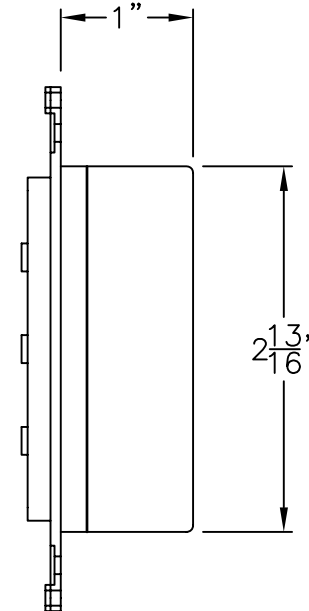
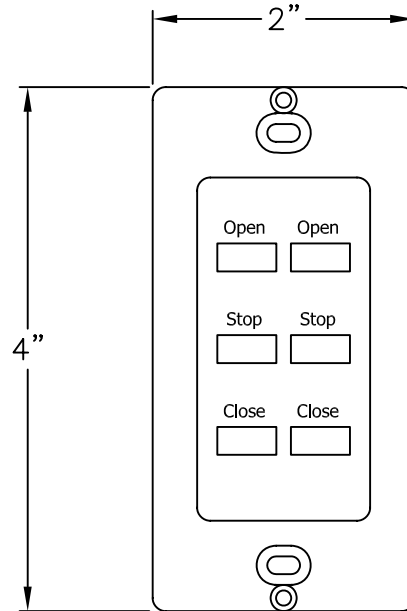
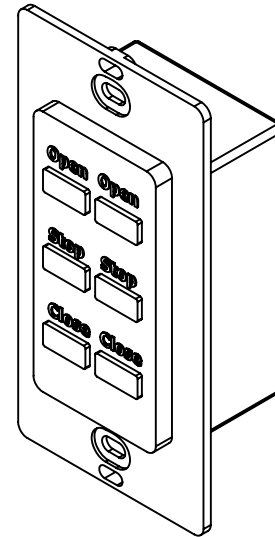
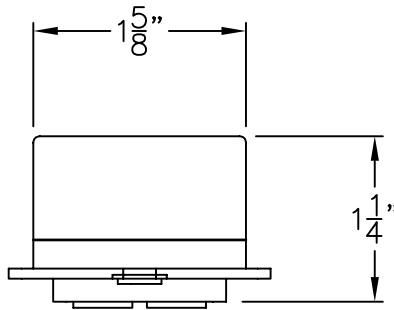
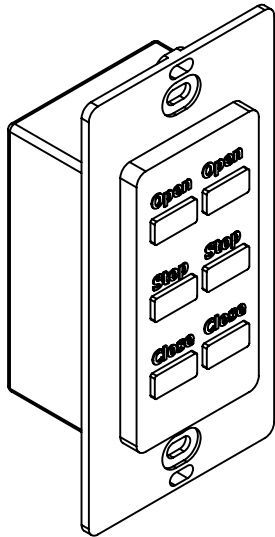


A B C D E

4
3
2
1

4
3
2
1



CONFIDENTIAL

All information disclosed in this document is proprietary to BTX Window Automation. Holder agrees to maintain it in confidence and must not replicate or reveal this information in any manner.

Project Controls

Dim INCHES

Tolerances

.XX ± .015
.XXX ± .005
ANG ± .5'

By: J. BARKHOLTZ

BTX™

BTX Window Automation
10763 Sanden Dr.
Dallas, Texas 75238
(214) 340-2800
(214) 343-2444 FAX

Title Wireless Dual Ch Switch

Size A

Matl:

Dwg No:

Wireless dual ch sw

Rev

1

Date: 09/26/2009

Scale: NTS

Sheet

1 of 1

A B C D E