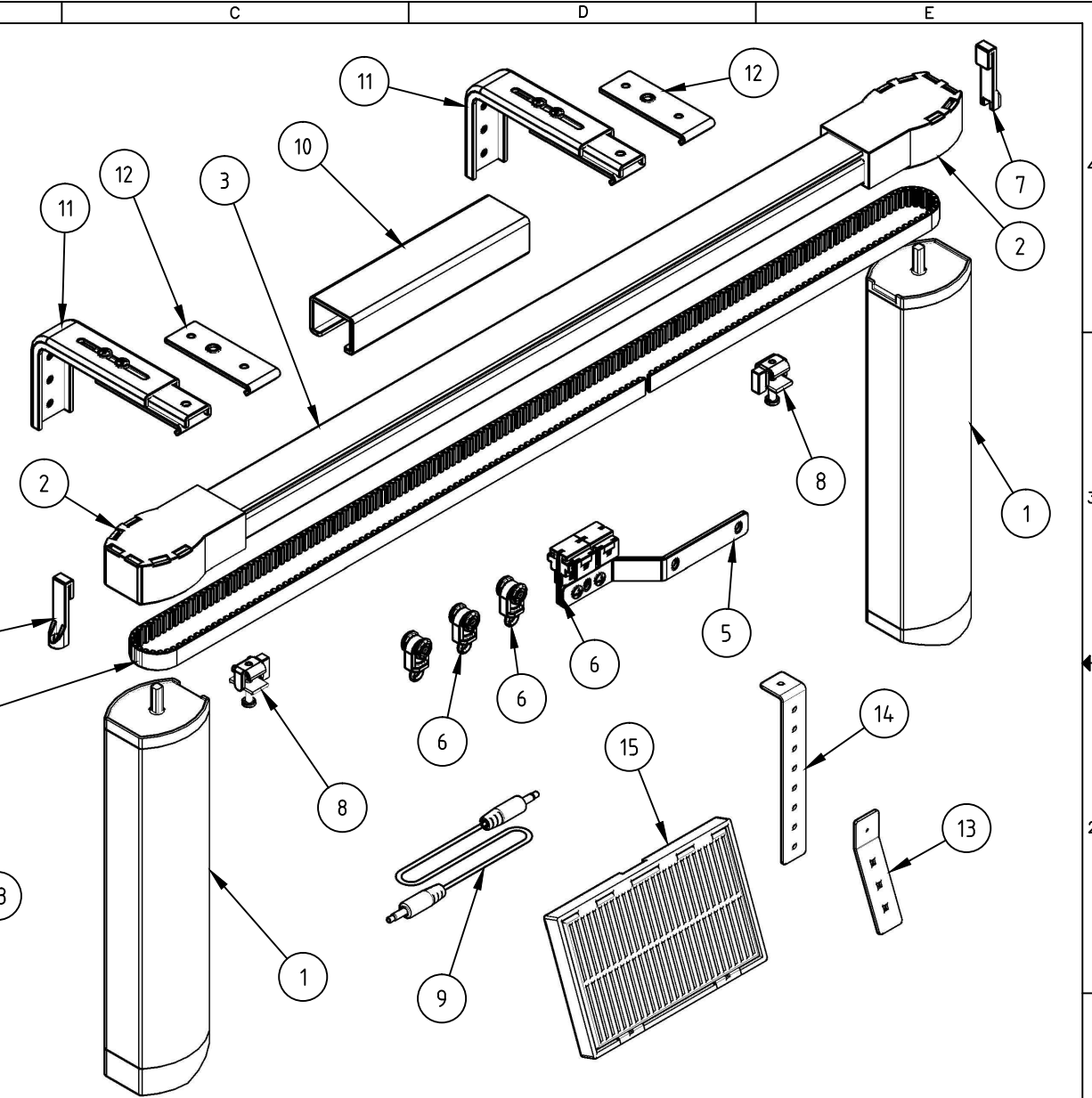


Item	Qty	A	Description
1	2	102.9000	MOTOR, TUMO SOLAR DRAPERY
2	2	266.5105	DRIVE, BOX, TUMO, WHITE
3	1	310.6070	HEADRAIL, TUMO, WHITE
4	1	290.3005	DRIVE BELT, TUMO
5	1	266.4955	DRIVE RUN, MASTER ASSY TUMO
6	3	240.7505	CARRIER, SWIVEL TUMO, WHITE
7	2	246.0650	CLIP, MOTOR BACK, TUMO
8	2	240.7530	CARRIER STOPPER, TUMO
9	2	440.1200	PLUG, SOLAR, TO MOTOR 50-60CM
10	1	246.2220	SPLICE, HD TUMO, WHITE
11	2	236.1865	BRACKET, WALL MNT, WHITE
12	2	236.1625	BRACKET, CEILING MNT, WHITE
13	2	236.1360	BRKT, TUMO SOLAR PNL, SHORT
14	2	236.1355	BRKT, TUMO SOLAR PNL, LONG
15	2	400.2310	SOLAR PANEL, TUMO 90 X 150MM



<p>CONFIDENTIAL</p> <p>All information disclosed in this document is proprietary to BTX Window Automation. Holder agrees to maintain it in confidence and must not replicate or reveal this information in any manner.</p>	Project	DRAPERY					
	Dim	MM					
	Tolerances	.XX ± .015 .XXX ± .005 ANG ± .5°		10763 Sanden Dr. Dallas, TX 75238 Tel. (800) 422-8839 F. (214) 343-2252			
	Title	TUMO SOLAR TANDEM DRAPERY SYSTEM					
Size	A	Matl:	Dwg No:	1040-SLR-T	Rev	A	
By:	B BRYSON	Date:	7/3/2014	Scale:	N/A	Sheet	1 of 3
FILE: C:\ENGINEERING\ASSEMBLIES\DRAPERY SYSTEMS\MOTORIZED\1040 SOLAR DRAPERY SYSTEM\1040 TUMO SOLAR TANDEM SYSTEM							