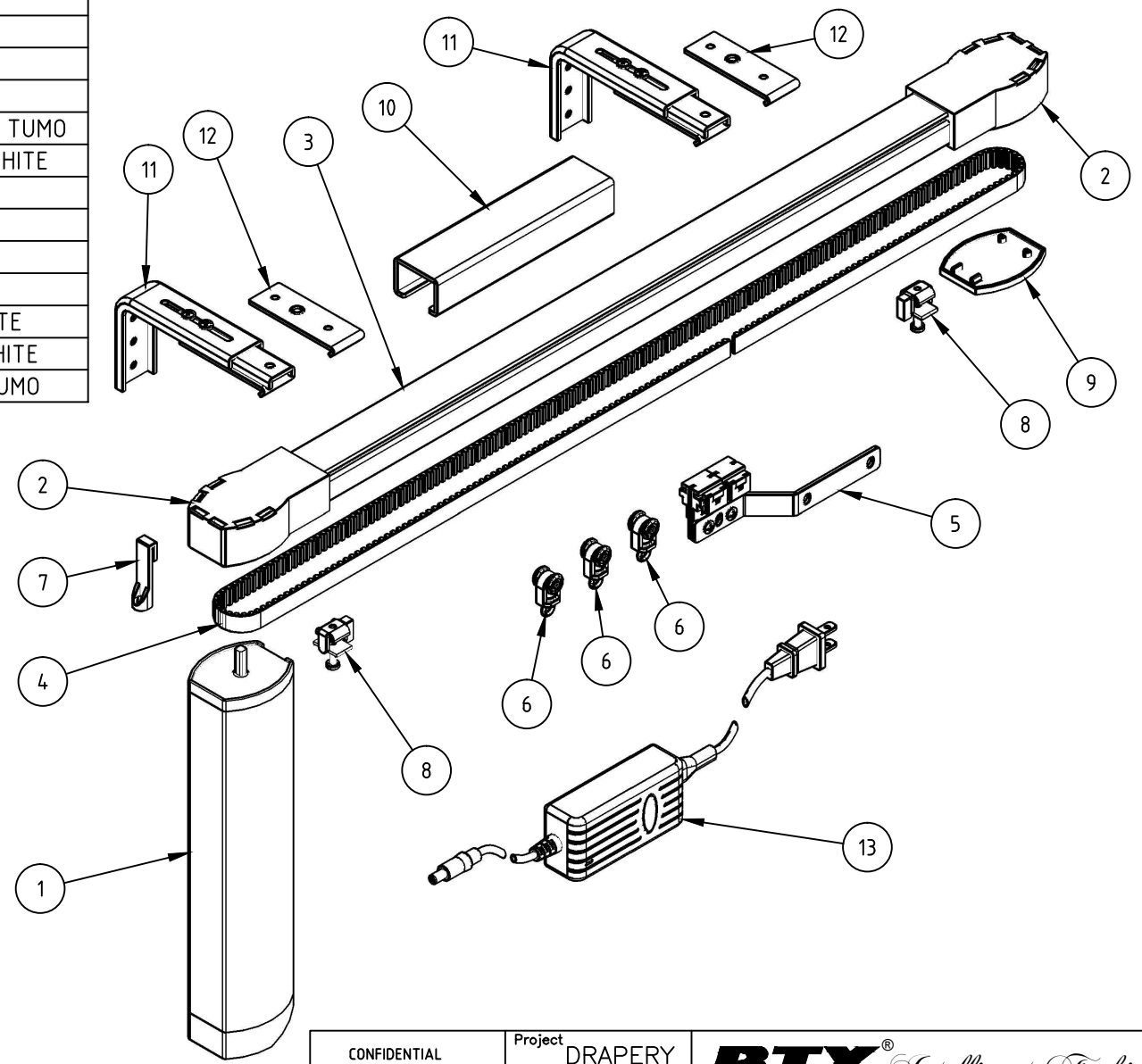


Item	Qty	Name	Description
1	1	101.9020	MOTOR, TUMO DC-B-120
2	2	266.5105	DRIVE, BOX, TUMO, WHITE
3	1	310.6070	HEADRAIL, TUMO, WHITE
4	1	290.3005	DRIVE BELT, TUMO
5	1	266.4955	DRIVE RUN, MASTER ASSY TUMO
6	3	240.7505	CARRIER, SWIVEL TUMO, WHITE
7	1	246.0650	CLIP, MOTOR BACK, TUMO
8	2	240.7530	CARRIER STOPPER, TUMO
9	1	266.5110	DRIVE, BOX COVER, WHITE
10	1	246.2220	SPLICE, HD TUMO, WHITE
11	2	236.1865	BRACKET, WALL MNT, WHITE
12	2	236.1625	BRACKET, CEILING MNT, WHITE
13	1	400.2300	POWER ADPTER, AC/DC, TUMO



<p>CONFIDENTIAL</p> <p>All information disclosed in this document is proprietary to BTX Window Automation. Holder agrees to maintain it in confidence and must not replicate or reveal this information in any manner.</p>	Project	DRAPERY		
	Dim	MM		
	Tolerances	.XX ± .015 .XXX ± .005 ANG ± .5°		
	Size	A	Matl:	
By: B BRYSON	Date: 7/3/2014	Scale: N/A	Sheet	1 of 3
<p>10763 Sanden Dr. Dallas, TX 75238 Tel. (800) 422-8839 F. (214) 343-2252</p>		<p>BTX® <i>Intelligent Fashion</i>™</p>		
Title		TUMO HD DRAPERY SYSTEM		
		Dwg No: 1040-HD		Rev A
FILE: C:\ENGINEERING\ASSEMBLIES\DRAPERY SYSTEMS\MOTORIZED\1040 TUMO HD SYSTEM\1040 TUMO HD SYSTEM				