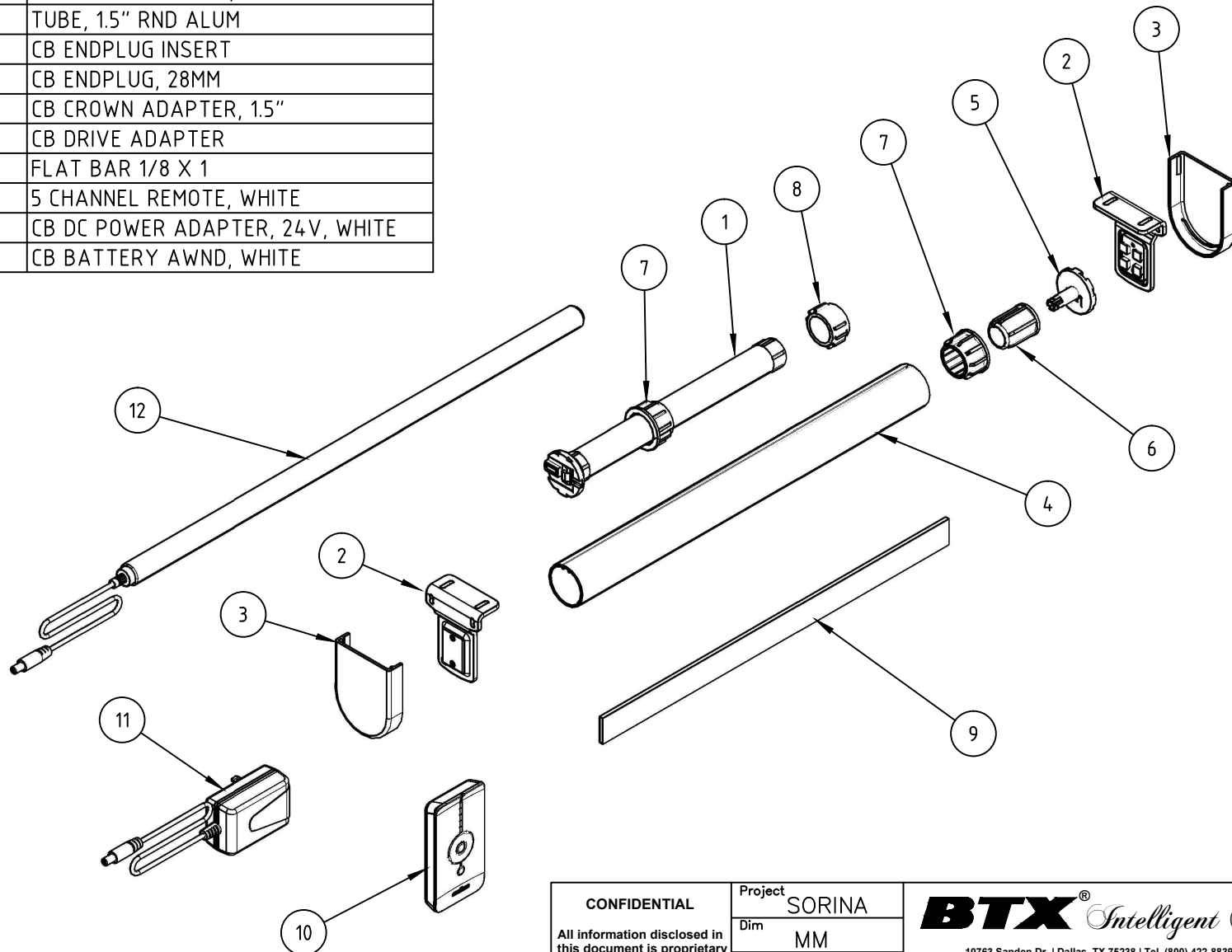


Item	Qty	Name	Description
1	1	101.8001	MOTOR, CB TUBULAR, 12-24 V DC
2	2	236.8005	CB BRACKET, ECO,42MM, WHITE
3	2	250.8001	CB BRACKET COVER, 42MM
4	1	311.1512	TUBE, 1.5" RND ALUM
5	1	260.8001	CB ENDPLUG INSERT
6	1	252.8002	CB ENDPLUG, 28MM
7	2	230.8007	CB CROWN ADAPTER, 1.5"
8	1	230.8008	CB DRIVE ADAPTER
9	1	323.1020	FLAT BAR 1/8 X 1
10	1	490.8001	5 CHANNEL REMOTE, WHITE
11	1	400.8003	CB DC POWER ADAPTER, 24-V, WHITE
12	1	400.8002	CB BATTERY AWND, WHITE



CONFIDENTIAL All information disclosed in this document is proprietary to BTX Window Automation. Holder agrees to maintain it in confidence and must not replicate or reveal this information in any manner.	Project	SORINA		
	Dim	MM		
	Tolerances			
	Size	.XX ± .015 .XXX ± .005 ANG ± .5°		
	Matl:			
By: B BRYSON		Date: 5/9/2014	Scale: N/A	Sheet 1 of 2
BTX[®] Intelligent Fashion[™] 10763 Sanden Dr. Dallas, TX 75238 Tel. (800) 422-8839 F. (214) 343-2252		Title: SORINA S CB MOTORIZED ROLLER SHADE Dwg No: 3051 Rev: A		
FILE: C:\ENGINEERING\ASSEMBLIES\ROLLER SHADE SYSTEMS\MOTORIZED\SORINA S MOTORIZED\S ABC-05 MOTORIZED\3051 SORINA S CB MOTORIZED ROLLER				