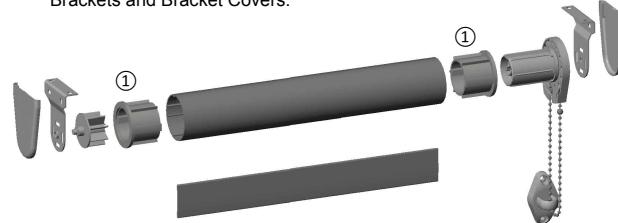


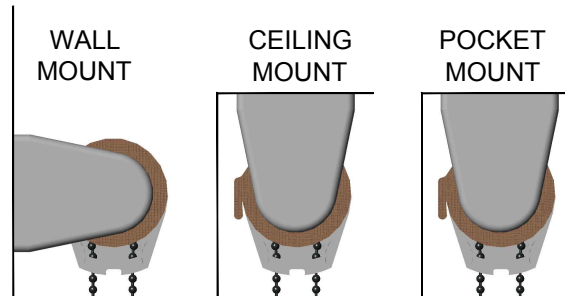
Installing Manual Roller Shade

Sornia Manual Roller Shade

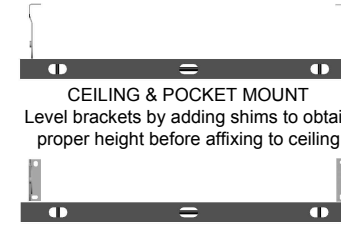
1. Your system should come with a Roller Shade Assembly, Mounting Brackets and Bracket Covers.



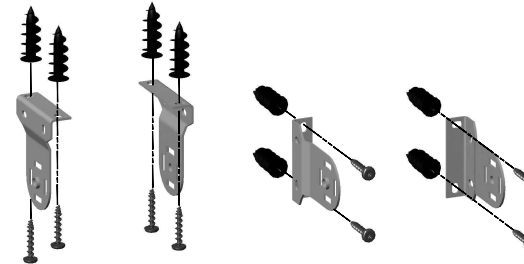
Note: Crown Adapters ① are NOT required on Small Roller Shade Systems.



2. Level and mount brackets to a solid surface. Ensure solid blocking, use anchors when necessary.



WALL MOUNT  
Level wall brackets to proper height before affixing to wall

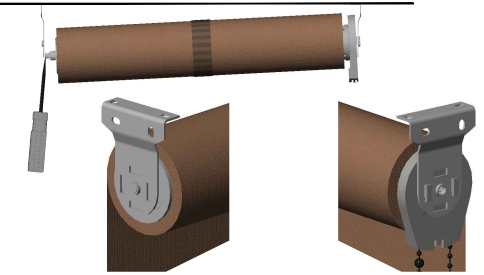


CEILING & POCKET MOUNT

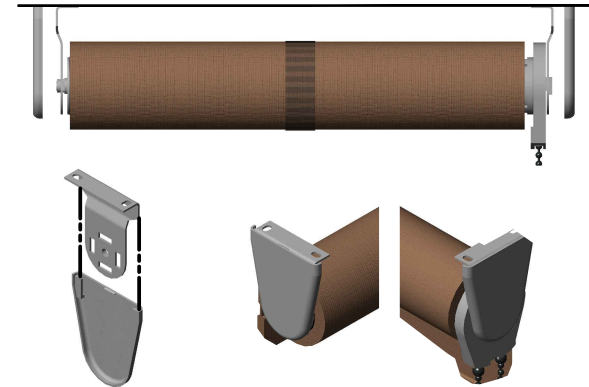
WALL MOUNT

Note: Installer to provide wall anchors and screws appropriate to the surface material and weight of the product. Metal, self-drilling anchors are recommended for drywall.

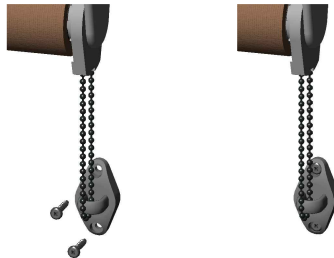
3. Mount Roller Shade by hooking Clutch End into Bracket slots then compress Idler Pin and insert into center hole of Bracket.



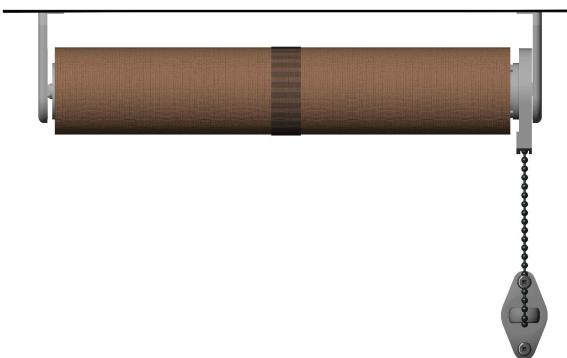
4. Install Bracket Covers (if Desired).



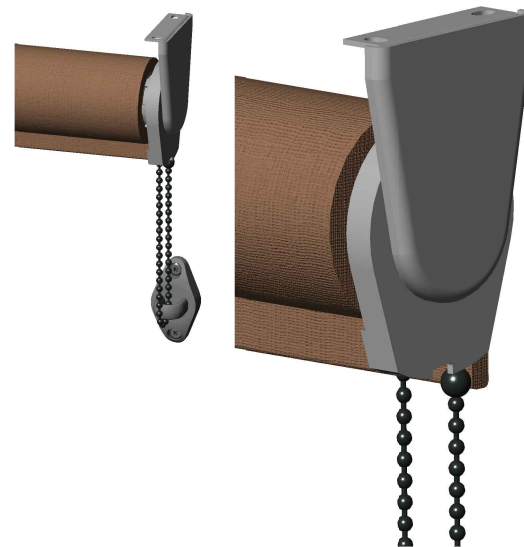
5. Attach Safety Device to wall as shown. Ensure Manual Pull Chain is taut when Safety Device is installed.



6. Carefully cut Plastic wrap holding the Roller Shade. Be careful not to cut the Fabric.

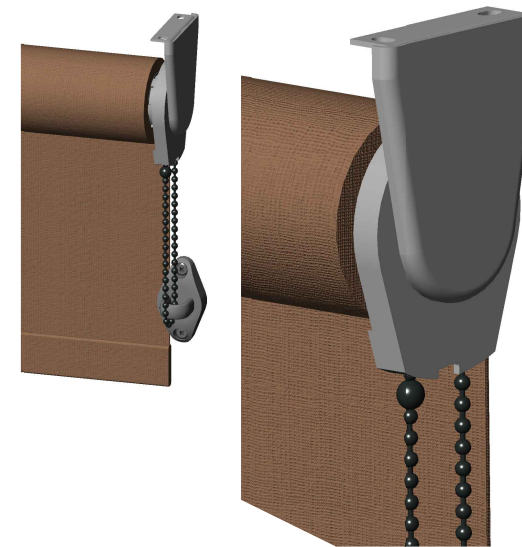


7a. Install Ball Stop by moving shade to Full Open Position and install Ball Stop at Bottom of Manual Clutch Housing as shown below.



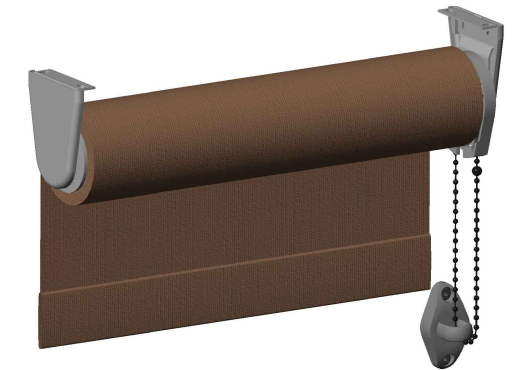
Note: If using Reverse Roll, Ball Stop will be installed in opposite location as shown.

7b. Install Ball Stop by moving shade to Full Close Position and install Ball Stop at Bottom of Manual Clutch Housing as shown below.



Note: If using Reverse Roll, Ball Stop will be installed in opposite location as shown.

8. Pull Chain to move Shade Up or Down for Smooth Operation.



Roller Shade installation is complete.