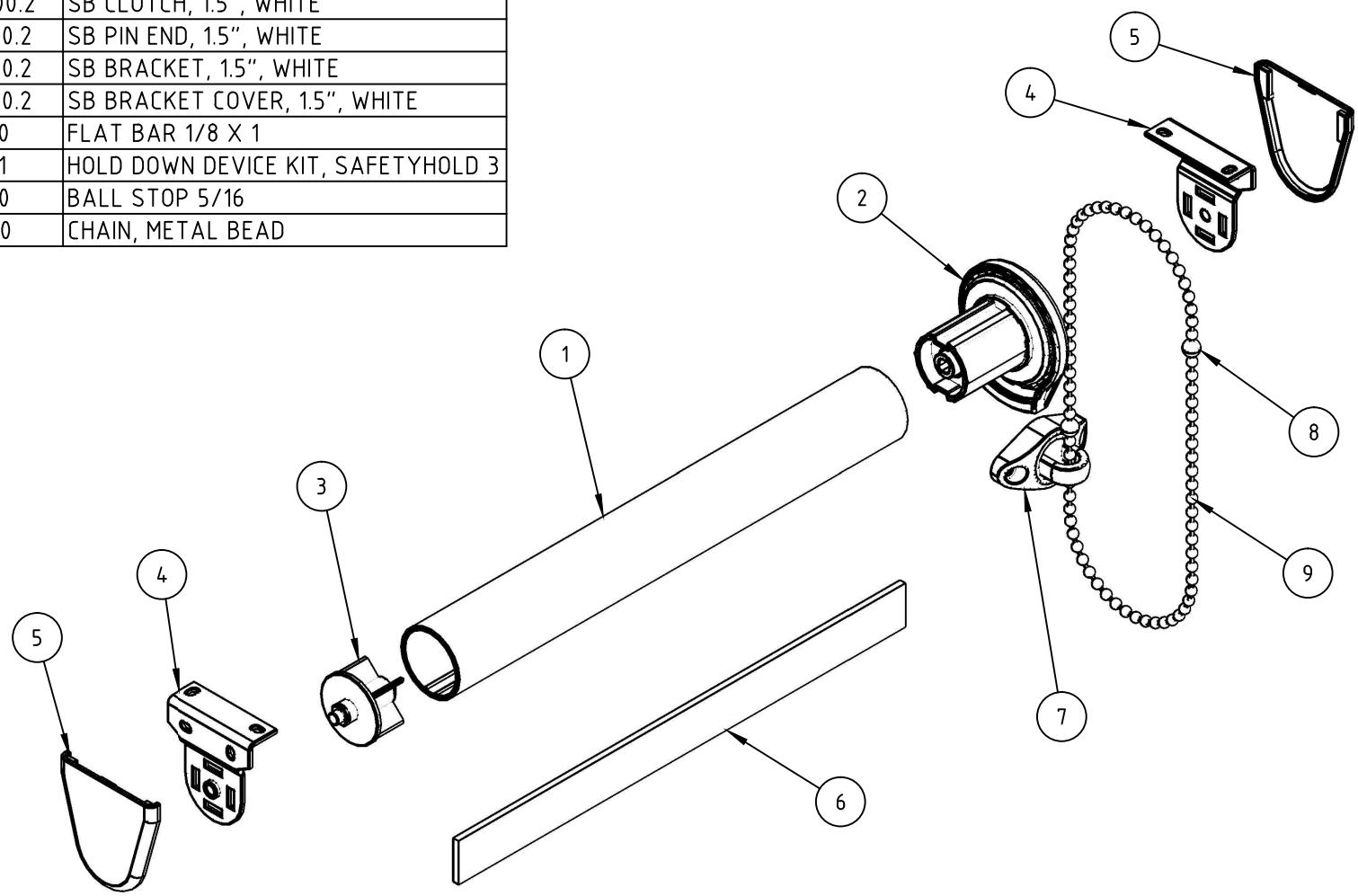


Item	Qty	Name	Description
1	1	311.1512	TUBE, 1.5" RND ALUM
2	1	244.8300.2	SB CLUTCH, 1.5", WHITE
3	1	258.8300.2	SB PIN END, 1.5", WHITE
4	2	236.8300.2	SB BRACKET, 1.5", WHITE
5	2	250.8300.2	SB BRACKET COVER, 1.5", WHITE
6	1	323.1020	FLAT BAR 1/8 X 1
7	1	279.1001	HOLD DOWN DEVICE KIT, SAFETYHOLD 3
8	2	232.1020	BALL STOP 5/16
9	1	242.1050	CHAIN, METAL BEAD



<b>CONFIDENTIAL</b> All information disclosed in this document is proprietary to BTX Window Automation. Holder agrees to maintain it in confidence and must not replicate or reveal this information in any manner.	Project	SORINA		
	Dim	MM		
	Tolerances			
	Size	.XX ± .015		
		.XXX ± .005		
	ANG ± .5°			
		<b>BTX<sup>®</sup> Intelligent Fashion<sup>™</sup></b> 10763 Sanden Dr.   Dallas, TX 75238   Tel. (800) 422-8839   F. (214) 343-2252		
	Title	SORINA S "S" MANUAL ROLLER SHADE		
	Size	A	Matl:	
			Dwg No:	2050
			Rev	A
	By: B BRYSON	Date: 5/7/2014	Scale: N/A	Sheet 1 of 2
	FILE: C:\ENGINEERING\ASSEMBLIES\ROLLER SHADE SYSTEMS\MANUAL\SORINA\SORINA S\2050 SORINA S_S ASSEMBLY			