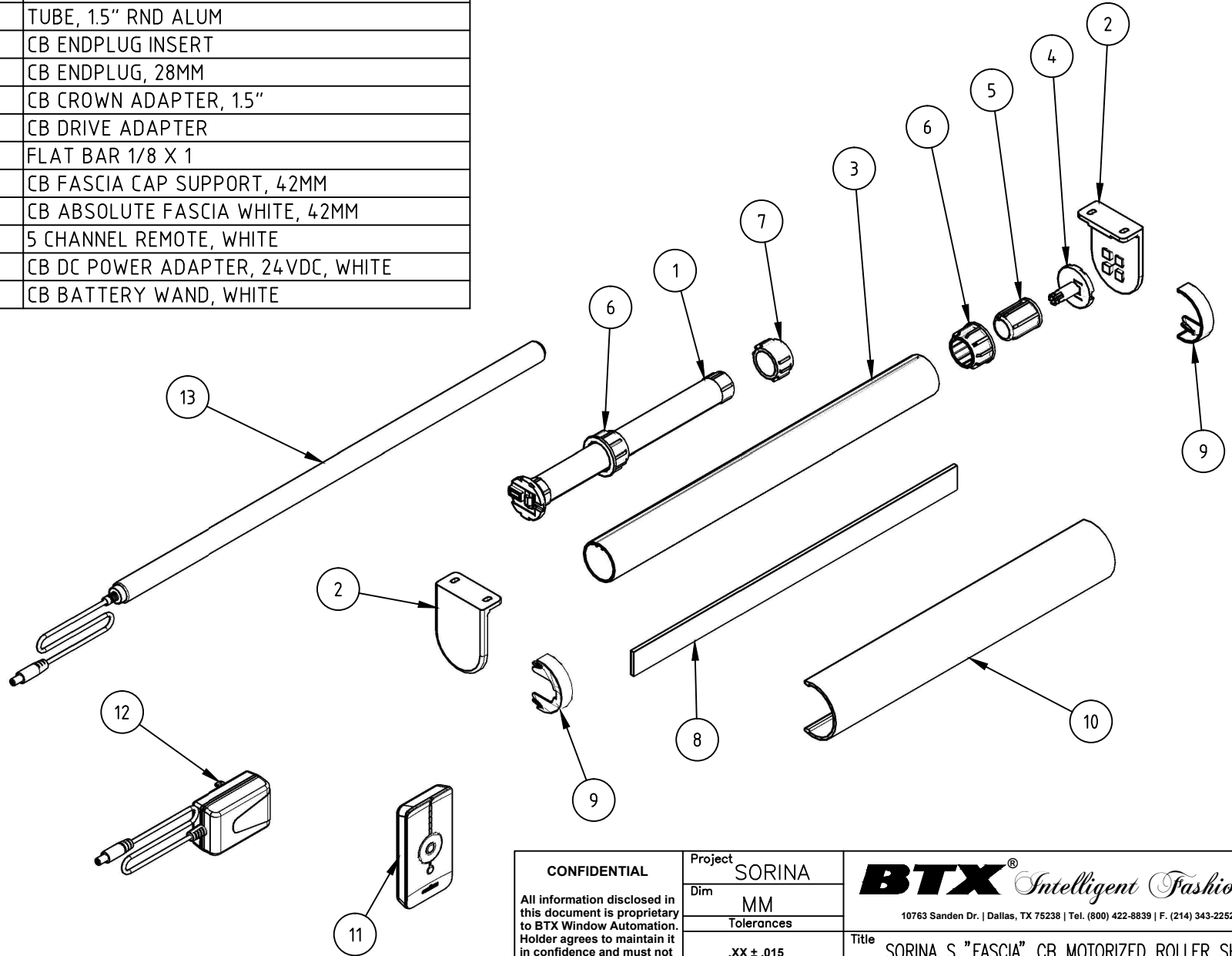



Item	Qty	Name	Description
1	1	101.8001	MOTOR, CB TUBULAR, 12-24VDC
2	2	236.8004	BRACKET, ABSOLUTE, FASCIA, 42MM, WHITE
3	1	311.1512	TUBE, 1.5" RND ALUM
4	1	260.8001	CB ENDPLUG INSERT
5	1	252.8002	CB ENDPLUG, 28MM
6	2	230.8007	CB CROWN ADAPTER, 1.5"
7	1	230.8008	CB DRIVE ADAPTER
8	1	323.1020	FLAT BAR 1/8 X 1
9	2	241.8001	CB FASCIA CAP SUPPORT, 42MM
10	1	316.8003	CB ABSOLUTE FASCIA WHITE, 42MM
11	1	490.8001	5 CHANNEL REMOTE, WHITE
12	1	400.8003	CB DC POWER ADAPTER, 24VDC, WHITE
13	1	400.8002	CB BATTERY WAND, WHITE



<b>CONFIDENTIAL</b> All information disclosed in this document is proprietary to BTX Window Automation. Holder agrees to maintain it in confidence and must not replicate or reveal this information in any manner.	Project	SORINA		
	Dim	MM		
	Tolerances			
	Size	.XX ± .015		
		.XXX ± .005		
	ANG ± .5°			
By: B BRYSON		Date: 5/9/2014	Scale: N/A	Sheet 1 of 2



10763 Sanden Dr. | Dallas, TX 75238 | Tel. (800) 422-8839 | F. (214) 343-2252

Title: SORINA S "FASCIA" CB MOTORIZED ROLLER SHADE

Dwg No: 3051-F

FILE: C:\ENGINEERING\ASSEMBLIES\ROLLER SHADE SYSTEMS\MOTORIZED\SORINA S MOTORIZED\S ABC-05 MOTORIZED\3051-F SORINA S FASCIA CB MOTORIZED ROLLER