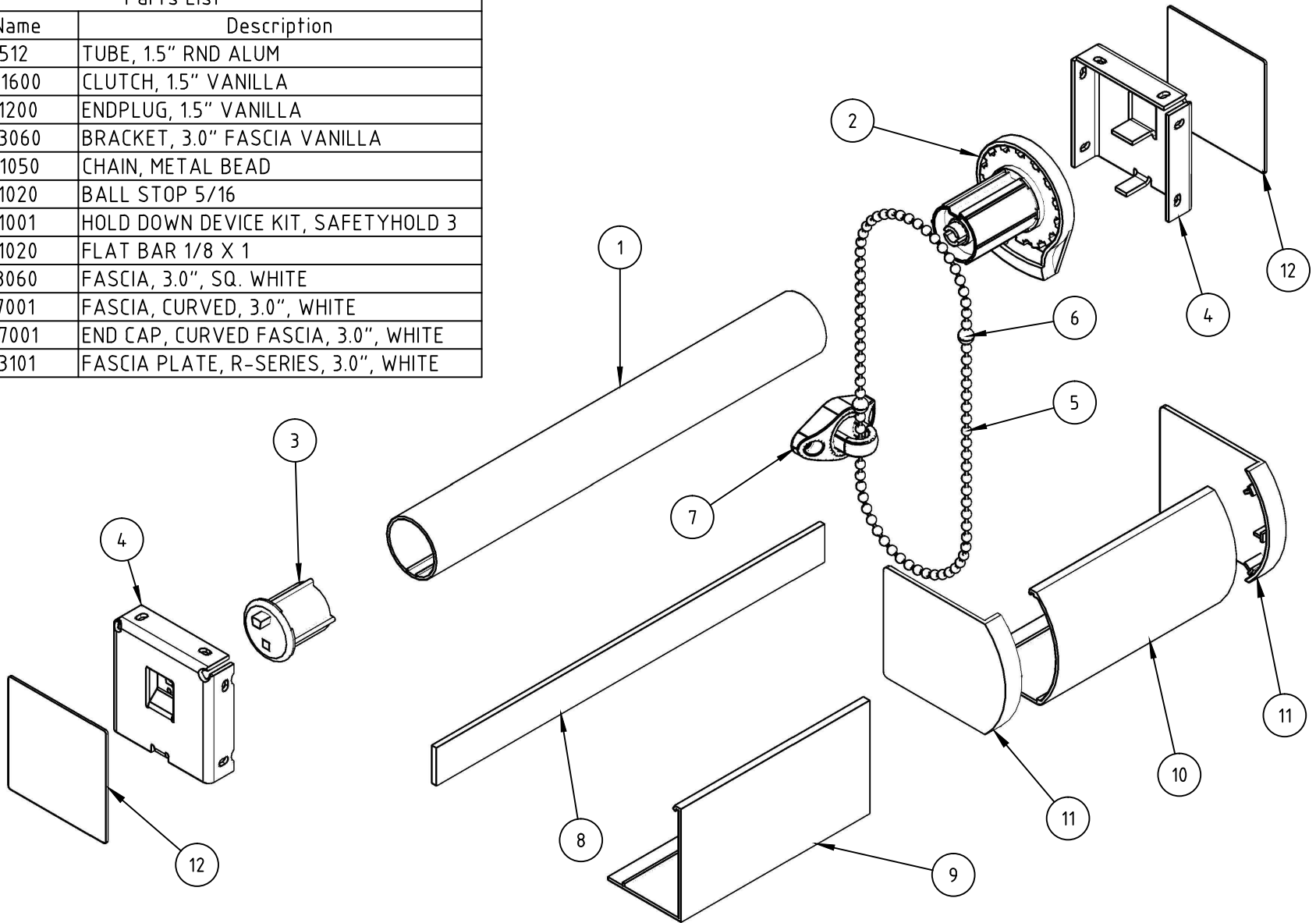


Parts List			
Item	Qty	Name	Description
1	1	311.1512	TUBE, 1.5" RND ALUM
2	1	244.1600	CLUTCH, 1.5" VANILLA
3	1	252.1200	ENDPLUG, 1.5" VANILLA
4	1	236.3060	BRACKET, 3.0" FASCIA VANILLA
5	1	242.1050	CHAIN, METAL BEAD
6	2	232.1020	BALL STOP 5/16
7	1	279.1001	HOLD DOWN DEVICE KIT, SAFETYHOLD 3
8	1	323.1020	FLAT BAR 1/8 X 1
9	1	316.3060	FASCIA, 3.0", SQ. WHITE
10	1	316.7001	FASCIA, CURVED, 3.0", WHITE
11	2	250.7001	END CAP, CURVED FASCIA, 3.0", WHITE
12	2	250.3101	FASCIA PLATE, R-SERIES, 3.0", WHITE



<b>CONFIDENTIAL</b> All information disclosed in this document is proprietary to BTX Window Automation. Holder agrees to maintain it in confidence and must not replicate or reveal this information in any manner.	Project	SORINA		
	Dim	MM		
	Tolerances			
	Size	.XX ± .015		
		.XXX ± .005		
	ANG ± .5°			
	By: B BRYSON	Date: 5/7/2014	Scale: N/A	Sheet 1 of 2
<b>BTX<sup>®</sup> Intelligent Fashion<sup>™</sup></b> 10763 Sanden Dr.   Dallas, TX 75238   Tel. (800) 422-8839   F. (214) 343-2252		Title SORINA S "FASCIA" MANUAL ROLL/SHADE Size A Matl: Dwg No: 2050-F Rev A		
FILE: C:\ENGINEERING\ASSEMBLIES\ROLLER SHADE SYSTEMS\MANUAL\SORINA\SORINA S\FASCIA ASSEMBLY				