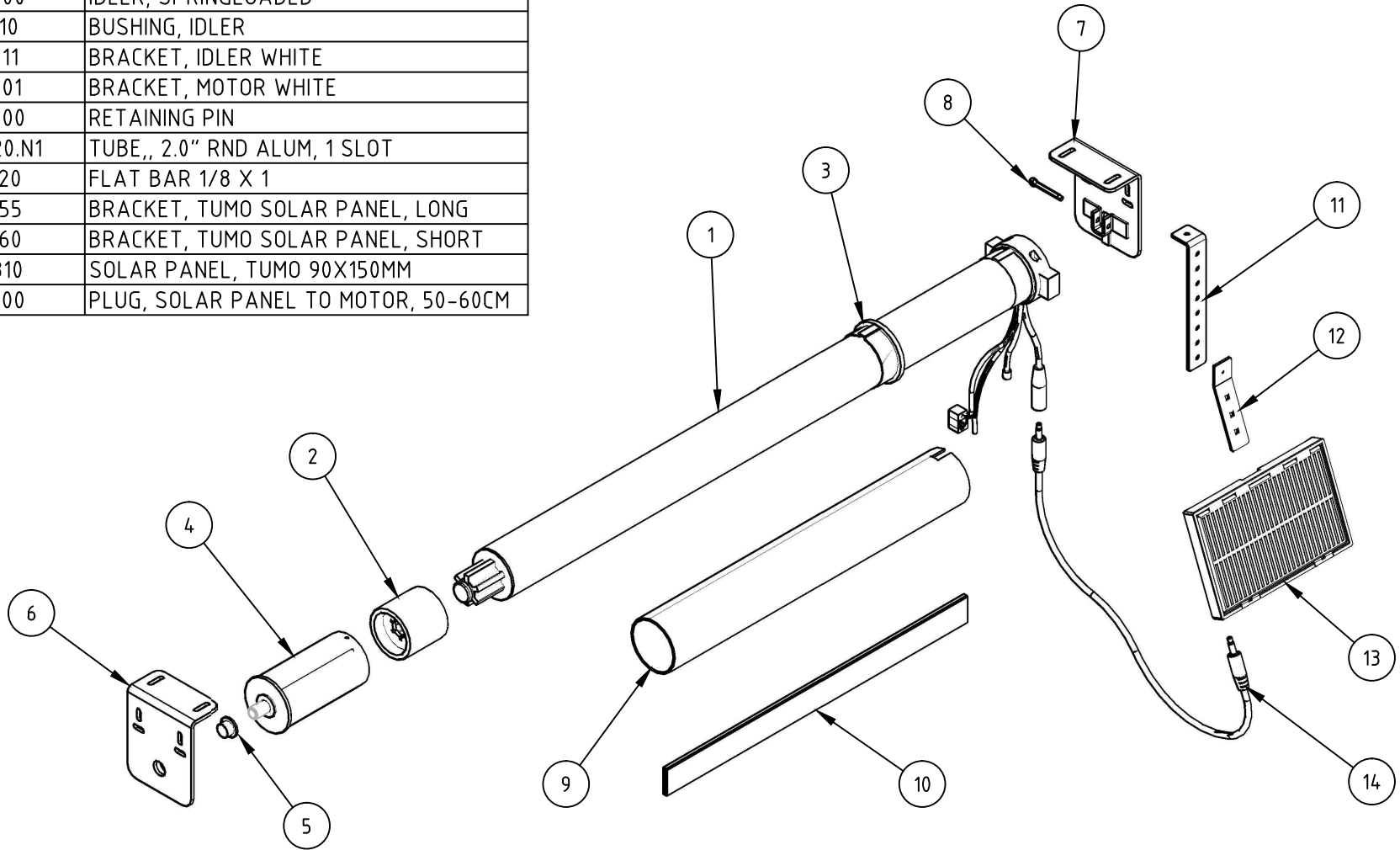


Item	Qty	A	B	C	D	E
Item	Qty	Name	Description			
1	1	101.9210	MOTOR, 45-2-18 TURN DC RF SOLAR			
2	1	230.1046	ADAPTER, DRIVE 50MM W/DAMPING			
3	1	230.1051	CROWN, 50MM, BTX MOTOR			
4	1	258.9500	IDLER, SPRINGLOADED			
5	1	268.1010	BUSHING, IDLER			
6	1	236.5011	BRACKET, IDLER WHITE			
7	1	236.5001	BRACKET, MOTOR WHITE			
8	1	278.9000	RETAINING PIN			
9	1	311.2120.N1	TUBE,, 2.0" RND ALUM, 1 SLOT			
10	1	323.1020	FLAT BAR 1/8 X 1			
11	1	236.1355	BRACKET, TUMO SOLAR PANEL, LONG			
12	1	236.1360	BRACKET, TUMO SOLAR PANEL, SHORT			
13	1	400.2310	SOLAR PANEL, TUMO 90X150MM			
14	1	440.1200	PLUG, SOLAR PANEL TO MOTOR, 50-60CM			



<b>CONFIDENTIAL</b> All information disclosed in this document is proprietary to BTX Window Automation. Holder agrees to maintain it in confidence and must not replicate or reveal this information in any manner.	Project	SORINA		
	Dim	MM		
	Tolerances	.XX ± .015 .XXX ± .005 ANG ± .5°		Title SORINA M SOLAR POWERED MOTORIZED
	Size	A	Matl:	Dwg No: 3048
By: B BRYSON		Date: 6/4/2014	Scale: N/A	Sheet 1 of 2
FILE: C:\ENGINEERING\ASSEMBLIES\ROLLER SHADE SYSTEMS\MOTORIZED\SORINA M MOTORIZED\M QUANTUM SOLAR R-STYLE\3048 SORINA M SOLAR DC RF MOTORIZED				