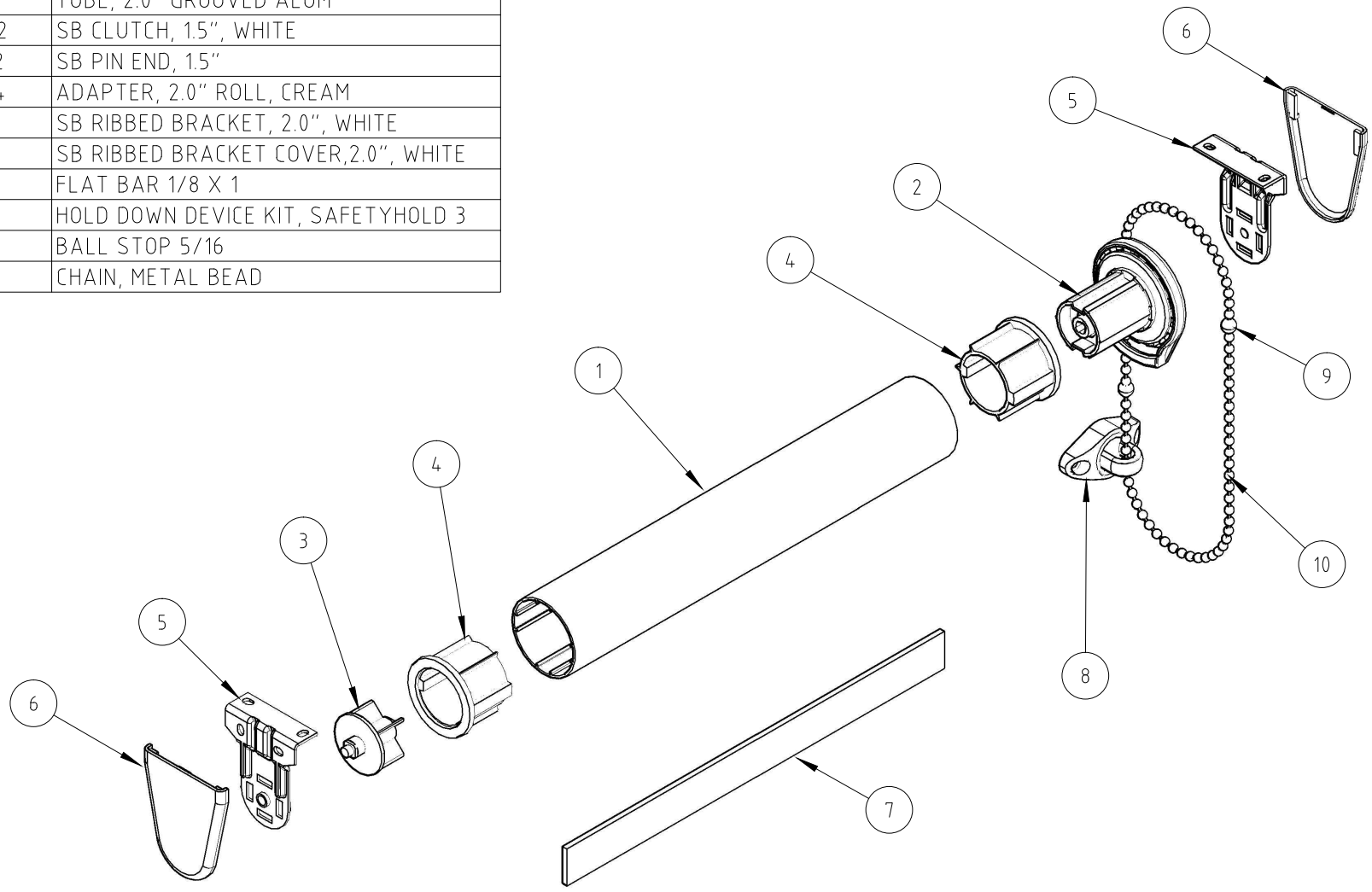


Item	Qty	Name	Description
1	1	311.2146	TUBE, 2.0" GROOVED ALUM
2	1	244.8300.2	SB CLUTCH, 1.5", WHITE
3	1	258.8300.2	SB PIN END, 1.5"
4	2	230.8330.4	ADAPTER, 2.0" ROLL, CREAM
5	2	236.8315.2	SB RIBBED BRACKET, 2.0", WHITE
6	2	250.8315.2	SB RIBBED BRACKET COVER, 2.0", WHITE
7	1	323.1020	FLAT BAR 1/8 X 1
8	1	279.1001	HOLD DOWN DEVICE KIT, SAFETYHOLD 3
9	2	232.1020	BALL STOP 5/16
10	1	242.1050	CHAIN, METAL BEAD



CONFIDENTIAL All information disclosed in this document is proprietary to BTX Window Automation. Holder agrees to maintain it in confidence and must not replicate or reveal this information in any manner.	Project	SORINA		
	Dim	MM		
	Tolerances			
	Size	.XX ± .015		
		.XXX ± .005		
	ANG ± .5°			
By: B BRYSON		Date: 5/8/2014	Scale: N/A	Sheet 1 of 2
FILE: C:\ENGINEERING\ASSEMBLIES\ROLLER SHADE SYSTEMS\MANUAL\SORINA\SORINA M\2051 M S MANUAL ROLLER SHADE				



10763 Sanden Dr. | Dallas, TX 75238 | Tel. (800) 422-8839 | F. (214) 343-2252

Title SORINA M "S" MANUAL ROLLER SHADE

Size A Matl: Dwg No: 2051 Rev A