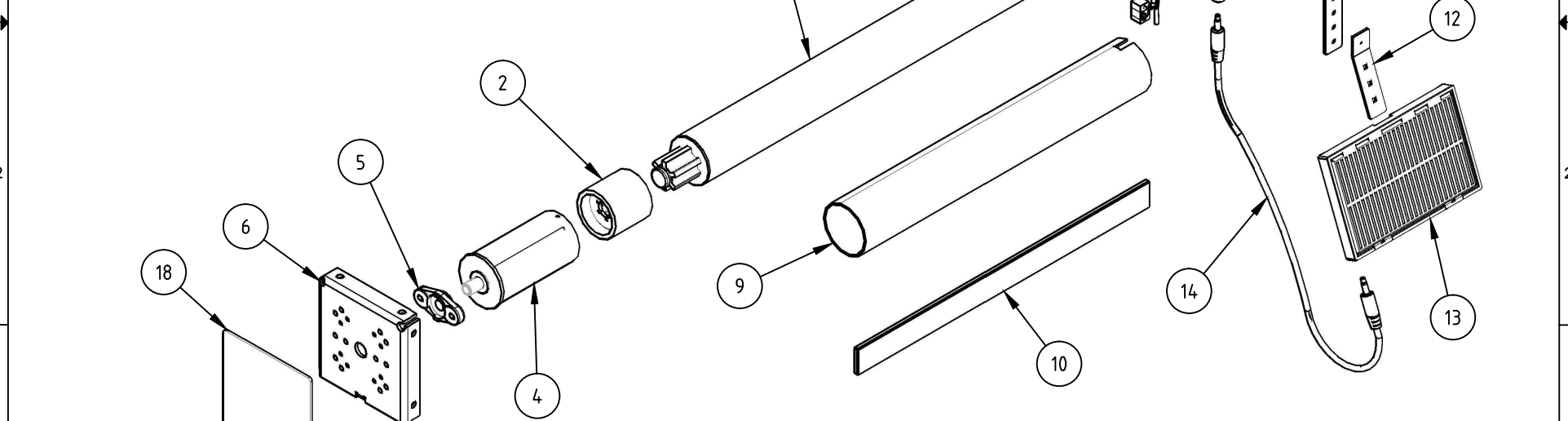


Item	Qty	A	B	C	D	E
Item	Qty	Name	Description			
1	1	101.9210	MOTOR, 45-2-18 TURN DC RF SOLAR			
2	1	230.1046	ADAPTER, DRIVE 50MM W/DAMPING			
3	1	230.1051	CROWN, 50MM BTX MOTOR			
4	1	258.9500	IDLER, SPRINGLOADED			
5	1	234.1020	BEARING, 10MM, FLANGE			
6	2	236.4090	BRACKET, 4.0" FASCIA WHITE			
7	1	236.1000	BRACKET, 16MM HANGER			
8	1	278.9000	RETAINING PIN			
9	1	311.2120.N1	TUBE, 2.0" RND ALUM, 1 SLOT			
10	1	323.1020	FLAT BAR 1/8 X 1			
11	1	236.1355	BRACKET, TUMO SOLAR PANEL, LONG			
12	1	236.1360	BRACKET, TUMO SOLAR PANEL, SHORT			
13	1	400.2310	SOLAR PANEL, TUMO 90 X 150MM			
14	1	440.1200	PLUG, SOLAR PANEL TO MOTOR, 50-60CM			
15	1	316.4060	FASCIA, 4.0" SQ, WHITE			
16	1	316.7005	FASCIA, CURVED, 4.0" WHITE			
17	1	250.7005	ENDCAP, CURVED FASCIA, 4.0" WHITE			
18	1	250.3105	FASCIA PLATE, R-SERIES, 4.0" WHITE			



<b>CONFIDENTIAL</b> All information disclosed in this document is proprietary to BTX Window Automation. Holder agrees to maintain it in confidence and must not replicate or reveal this information in any manner.	Project	SORINA							
	Dim	MM							
	Tolerances			10763 Sanden Dr.   Dallas, TX 75238   Tel. (800) 422-8839   F. (214) 343-2252					
	Size	.XX ± .015	Title		SORNIA M "FASCIA" SOLAR POWERED MOTORIZED				
		.XXX ± .005	Size	A	Matl:		Dwg No:	3048-F	Rev
	ANG ± .5°	By:	B BRYSON	Date:	6/3/2014	Scale:	N/A	Sheet	1 of 2
FILE: C:\ENGINEERING\ASSEMBLIES\ROLLER SHADE SYSTEMS\MOTORIZED\SORNIA M MOTORIZED\M QUANTUM SOLAR R-STYLE\3048-F SORNIA M FASCIA SOLAR DC RF MOTORIZED									