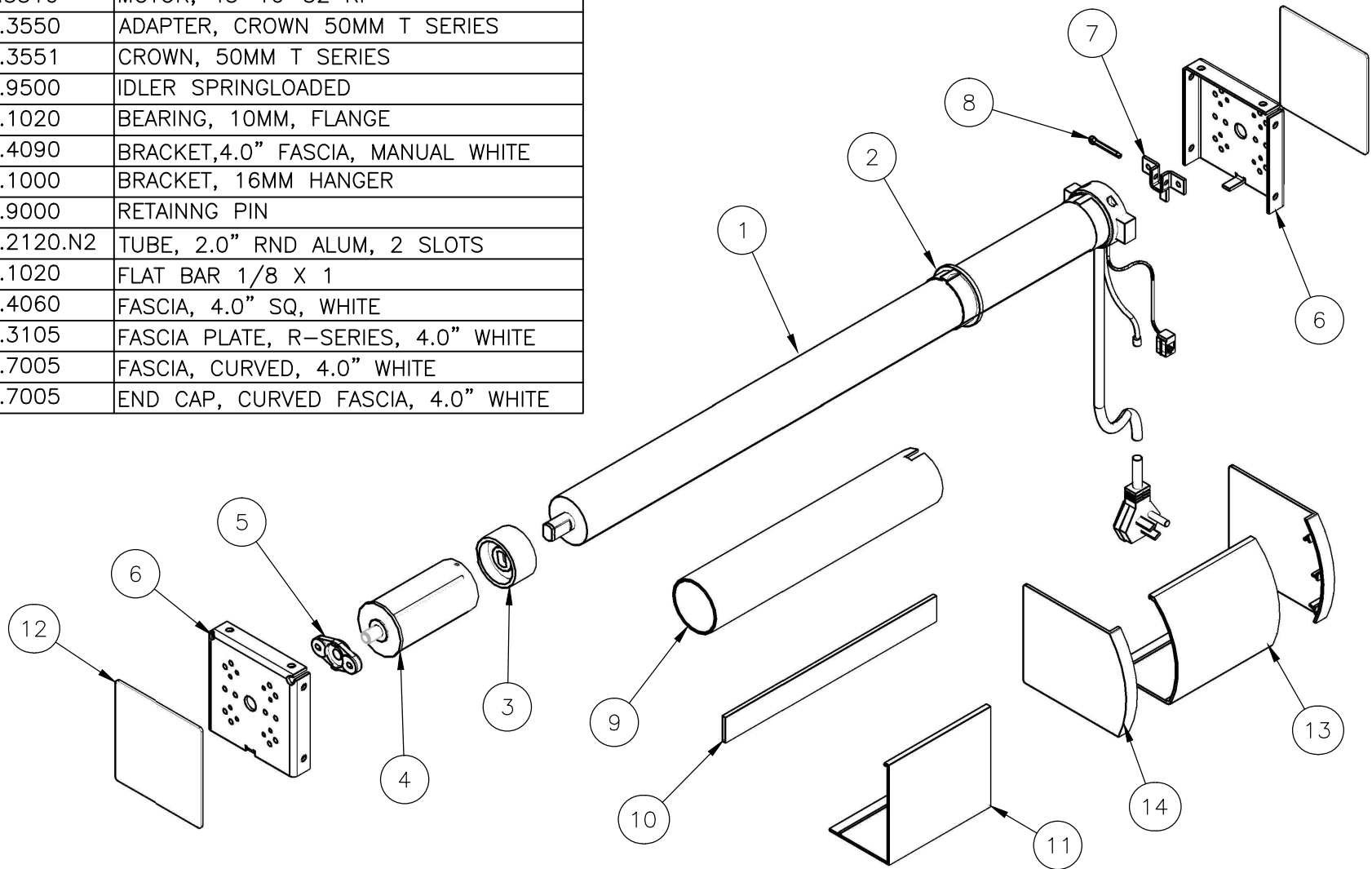


| Parts List | | | |
|------------|-----|-------------|------------------------------------|
| ITEM | QTY | NAME | MATERIAL |
| 1 | 1 | 102.5310 | MOTOR, 45-10-32 RF |
| 2 | 1 | 230.3550 | ADAPTER, CROWN 50MM T SERIES |
| 3 | 1 | 230.3551 | CROWN, 50MM T SERIES |
| 4 | 1 | 258.9500 | IDLER SPRINGLOADED |
| 5 | 1 | 234.1020 | BEARING, 10MM, FLANGE |
| 6 | 2 | 236.4090 | BRACKET, 4.0" FASCIA, MANUAL WHITE |
| 7 | 1 | 236.1000 | BRACKET, 16MM HANGER |
| 8 | 1 | 278.9000 | RETAINNG PIN |
| 9 | 1 | 311.2120.N2 | TUBE, 2.0" RND ALUM, 2 SLOTS |
| 10 | 1 | 323.1020 | FLAT BAR 1/8 X 1 |
| 11 | 1 | 316.4060 | FASCIA, 4.0" SQ, WHITE |
| 12 | 1 | 250.3105 | FASCIA PLATE, R-SERIES, 4.0" WHITE |
| 13 | 1 | 316.7005 | FASCIA, CURVED, 4.0" WHITE |
| 14 | 1 | 250.7005 | END CAP, CURVED FASCIA, 4.0" WHITE |



| | | | | |
|--|--------------|----------------|--|--------------|
| CONFIDENTIAL All information disclosed in this document is proprietary to BTX Window Automation. Holder agrees to maintain it in confidence and must not replicate or reveal this information in any manner. | Project | SORINA | | |
| | Dim | MM | | |
| | Tolerances | | | |
| | Size | A | | |
| | Title | | SORINA M "FASCIA" TUMO AC RF MOTORIZED | |
| | Matl: | Dwg No: | 3054-F | |
| | By: B BRYSON | Date: 5/9/2014 | Scale: N/A | Sheet 1 of 2 |
| FILE: C:\ENGINEERING\ASSEMBLIES\ROLLER SHADE SYSTEMS\MOTORIZED\SORINA M MOTORIZED\M TUMO AC MOTORIZED\3054-F SORINA M FASCIA TUMO AC RF MOTORIZED | | | | |



10763 Sanden Dr. | Dallas, TX 75238 | Tel. (800) 422-8839 | F. (214) 343-2252