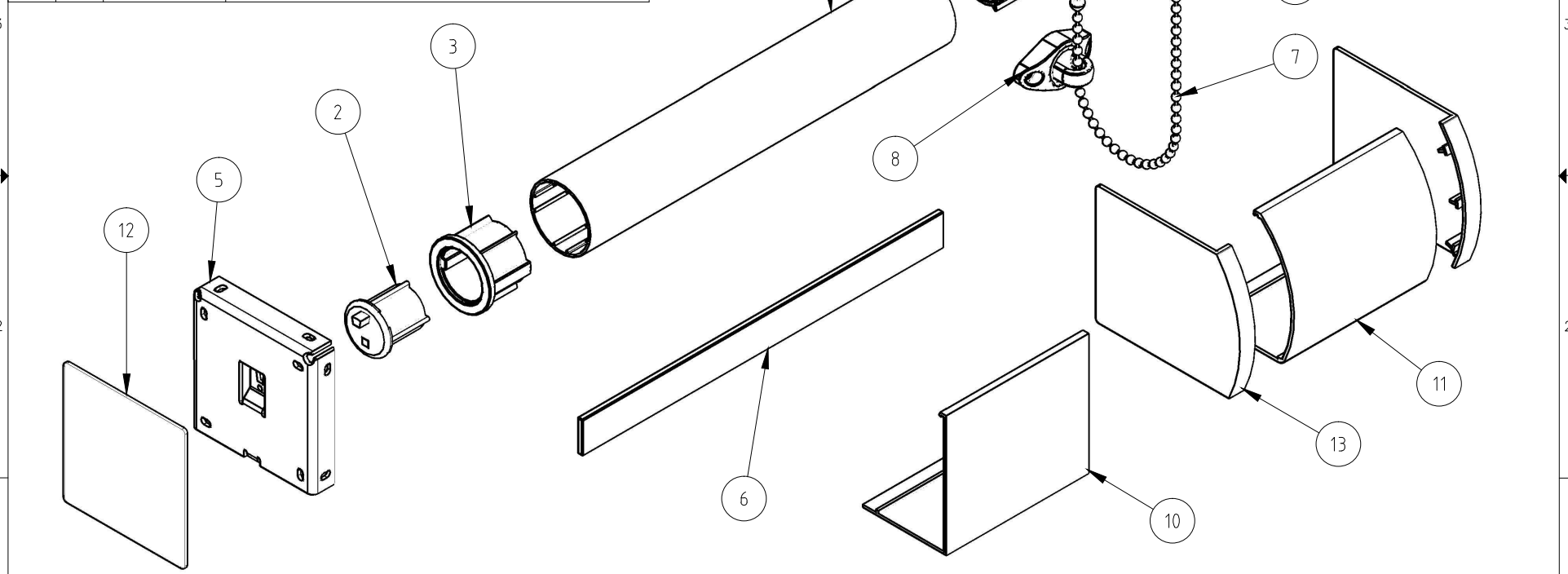


Item	Qty	A	B	C	D	E
Item	Qty	Name	Description			
1	1	311.2146	TUBE, 2.0", GROOVED			
2	1	252.1200	PLUG, END, 1.5" VANILLA			
3	2	230.8330.9	ADAPTER, 2.0" ROLLER, NATURAL			
4	1	244.2400	CLUTCH, 1.5" R24 VANILLA			
5	1	236.4060	BRACKET, 4.0", FASCIA, WHITE			
6	1	323.1020	FLAT BAR, 1/8 X 1			
7	1	242.1050	CHAIN, METAL BEAD			
8	1	279.1001	HOLD DOWN DEVICE KIT, SAFETYHOLD 3			
9	2	232.1020	BALL STOP 5/16			
10	1	316.4060	FASCIA, 4.0" SQ, MANUAL, WHITE			
11	1	316.7005	FASCIA, 4.0" CURVED, MANUAL, WHITE			
12	1	250.3105	FASCIA PLATE, R-SERIES, 4.0", WHITE			
13	1	250.7005	END CAP, 4.0" CURVED FASCIA, WHITE			



<b>CONFIDENTIAL</b> All information disclosed in this document is proprietary to BTX Window Automation. Holder agrees to maintain it in confidence and must not replicate or reveal this information in any manner.	Project	SORINA		
	Dim	MM		
	Tolerances	.XX ± .015 .XXX ± .005 ANG ± .5°		10763 Sanden Dr.   Dallas, TX 75238   Tel. (800) 422-8839   F. (214) 343-2252
	Title	SORINA M "FASCIA" MANUAL ROLLER SHADE		
Size	A	Matl:	Dwg No:	Rev
			2051-F	A
By: B BRYSON	Date: 5/21/2014	Scale: N/A	Sheet	1 of 2
FILE: C:\ENGINEERING\ASSEMBLIES\ROLLER SHADE SYSTEMS\MANUAL\SORINA\SORINA M\2051-F M S MANUAL ROLLER SHADE				