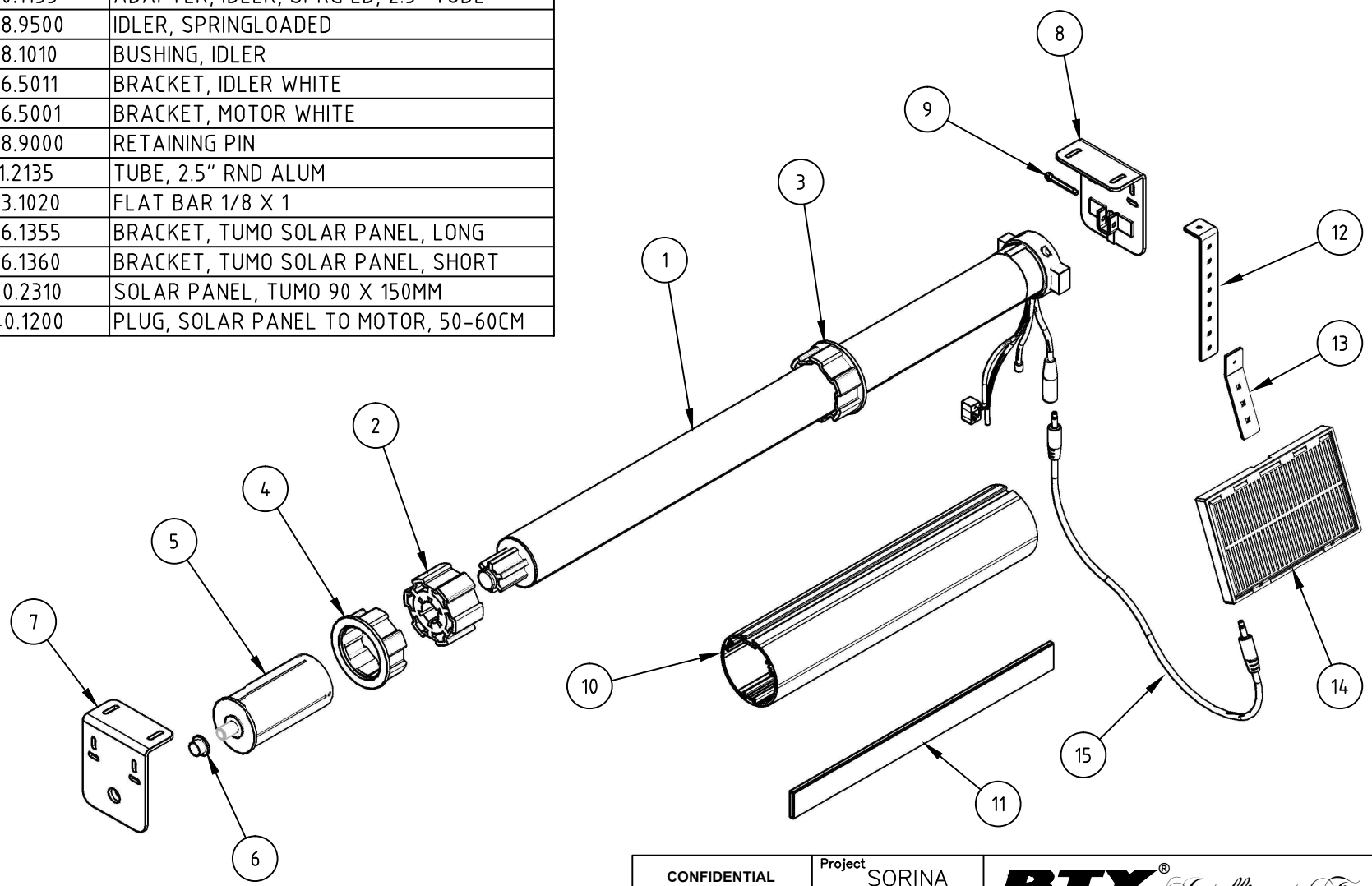


Item	Qty	Name	Description
1	1	101.9210	MOTOR, 45-2-18 TURN DC RF SOLAR
2	1	230.1048	ADAPTER, DRIVE 63MM W/DAMPING
3	2	230.1049	CROWN, 63MM, BTX MOTOR
4	1	230.1155	ADAPTER, IDLER, SPRG LD, 2.5" TUBE
5	1	258.9500	IDLER, SPRINGLOADED
6	1	268.1010	BUSHING, IDLER
7	1	236.5011	BRACKET, IDLER WHITE
8	1	236.5001	BRACKET, MOTOR WHITE
9	1	278.9000	RETAINING PIN
10	1	311.2135	TUBE, 2.5" RND ALUM
11	1	323.1020	FLAT BAR 1/8 X 1
12	1	236.1355	BRACKET, TUMO SOLAR PANEL, LONG
13	1	236.1360	BRACKET, TUMO SOLAR PANEL, SHORT
14	1	400.2310	SOLAR PANEL, TUMO 90 X 150MM
15	1	440.1200	PLUG, SOLAR PANEL TO MOTOR, 50-60CM



CONFIDENTIAL All information disclosed in this document is proprietary to BTX Window Automation. Holder agrees to maintain it in confidence and must not replicate or reveal this information in any manner.	Project	SORINA		
	Dim	MM		
	Tolerances			
	Size	.XX ± .015 .XXX ± .005 ANG ± .5°	Matl:	
	By:	B BRYSON	Date:	6/4/2014
		10763 Sanden Dr. Dallas, TX 75238 Tel. (800) 422-8839 F. (214) 343-2252		
Title		SORINA L SOLAR POWERED MOTORIZED		
Scale:	N/A	Dwg No:	3049	Rev
Sheet	1 of 2	A		
FILE: C:\ENGINEERING\ASSEMBLIES\ROLLER SHADE SYSTEMS\MOTORIZED\SORINA L MOTORIZED\L QUANTUM SOLAR R-STYLE\3049 SORINA L SOLAR DC RF MOTORIZED				