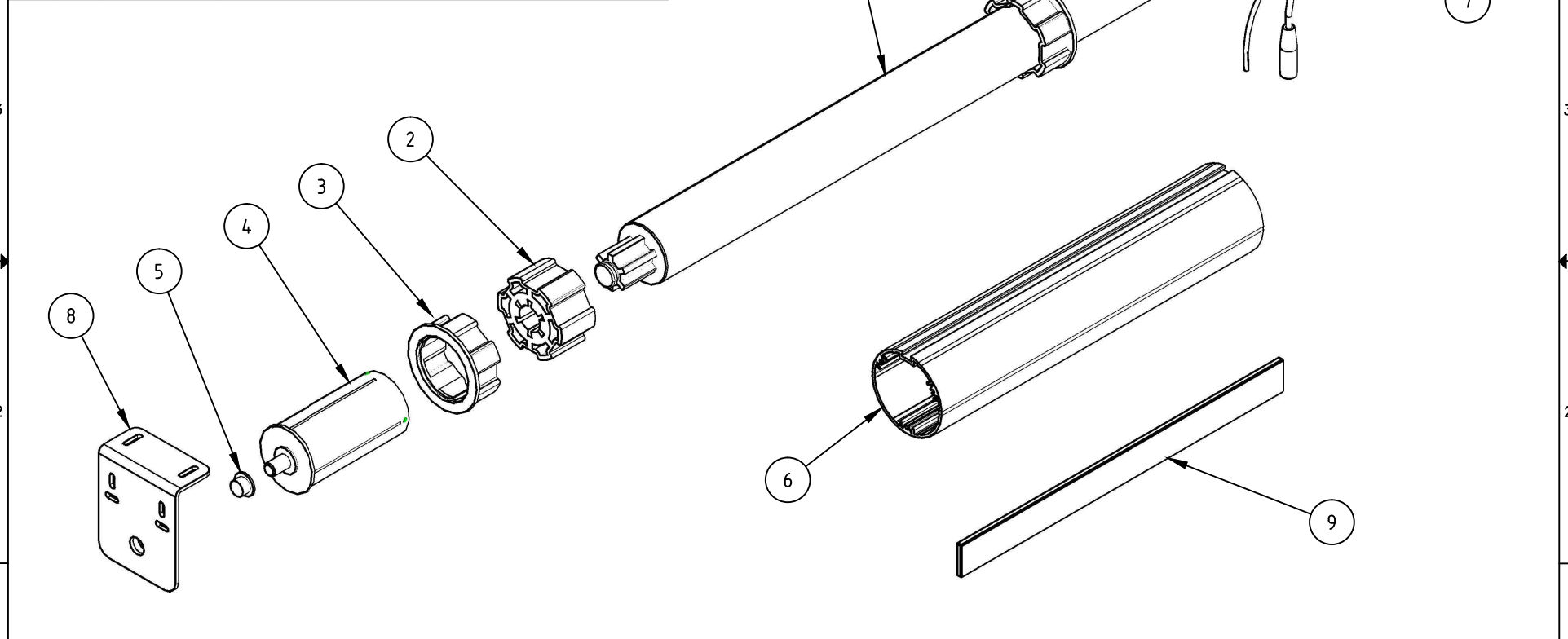


Item	Qty	Name	Description
1	1	101.9215	MOTOR, 45-2.5 DC RF DRY CONTACT
2	1	230.1048	ADAPTER, DRIVE 63MM W/DAMPING
3	2	230.1049	ADAPTER, CROWN 63MM
4	1	258.9500	IDLER, SPRING LOADED
5	1	268.1010	BUSHING, IDLER
6	1	311.2135	TUBE, 2.5" RND ALUM
7	1	236.5001	BRACKET, MOTOR WHITE
8	1	236.5011	BRACKET, IDLER WHITE
9	1	323.1020	FLAT BAT, 1/8 X 1
10	1	278.9000	RETAINING PIN



CONFIDENTIAL All information disclosed in this document is proprietary to BTX Window Automation. Holder agrees to maintain it in confidence and must not replicate or reveal this information in any manner.	Project	SORINA		
	Dim	MM		
	Tolerances	.XX ± .015 .XXX ± .005 ANG ± .5°		
	Size	A	Matl:	
By: B BRYSON		Date: 5/12/2014	Scale: N/A	Sheet 1 of 2
BTX <i>Intelligent Fashion</i> [™] 10763 Sanden Dr. Dallas, TX 75238 Tel. (800) 422-8839 F. (214) 343-2252		Title: SORINA L TUMO DC RF MOTORIZED Dwg No: 3059 Rev: A		
FILE: C:\ENGINEERING\ASSEMBLIES\ROLLER SHADE SYSTEMS\MOTORIZED\SORINA L MOTORIZED\L TUMO DC MOTORIZED\3059 SORINA L TUMO DC RF MOTORIZED				