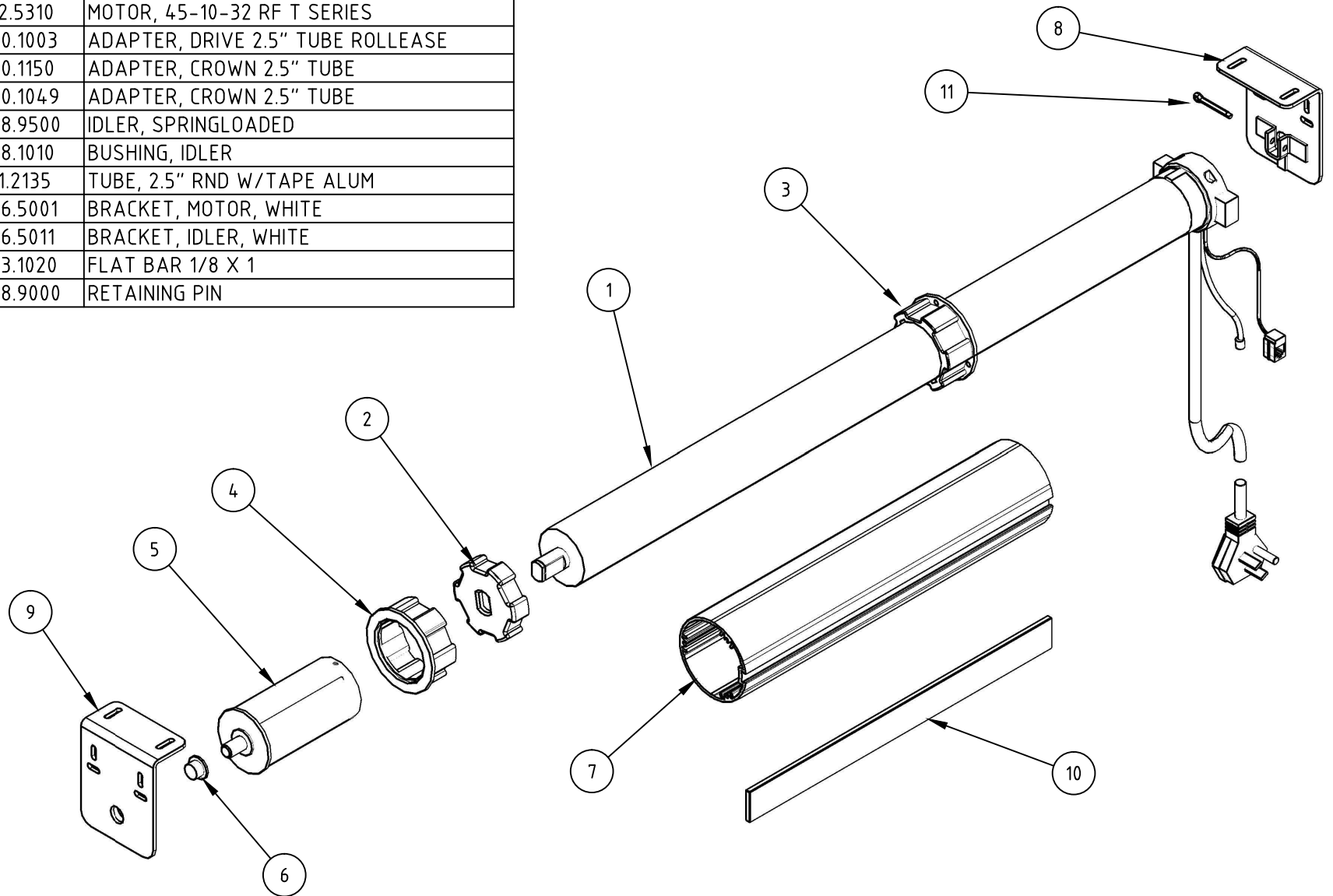


Item	Qty	Name	Description
1	1	102.5310	MOTOR, 45-10-32 RF T SERIES
2	1	230.1003	ADAPTER, DRIVE 2.5" TUBE ROLLEASE
3	1	230.1150	ADAPTER, CROWN 2.5" TUBE
4	1	230.1049	ADAPTER, CROWN 2.5" TUBE
5	1	258.9500	IDLER, SPRINGLOADED
6	1	268.1010	BUSHING, IDLER
7	1	311.2135	TUBE, 2.5" RND W/TAPE ALUM
8	1	236.5001	BRACKET, MOTOR, WHITE
9	1	236.5011	BRACKET, IDLER, WHITE
10	1	323.1020	FLAT BAR 1/8 X 1
11	1	278.9000	RETAINING PIN



<b>CONFIDENTIAL</b> All information disclosed in this document is proprietary to BTX Window Automation. Holder agrees to maintain it in confidence and must not replicate or reveal this information in any manner.	Project	SORINA		
	Dim	MM		
	Tolerances	.XX ± .015 .XXX ± .005 ANG ± .5°		
	Size	A	Matl:	
	By:	B BRYSON	Date:	5/9/2014
		10763 Sanden Dr.   Dallas, TX 75238   Tel. (800) 422-8839   F. (214) 343-2252		
Title		SORINA L TUMO AC RF MOTORIZED		
Dwg No:		3058		Rev
Scale:		N/A		A
Sheet		1 of 2		
FILE: C:\ENGINEERING\ASSEMBLIES\ROLLER SHADE SYSTEMS\MOTORIZED\SORINA L MOTORIZED\L TUMO AC MOTORIZED\3058 SORINA L TUMO AC RF MOTORIZED				