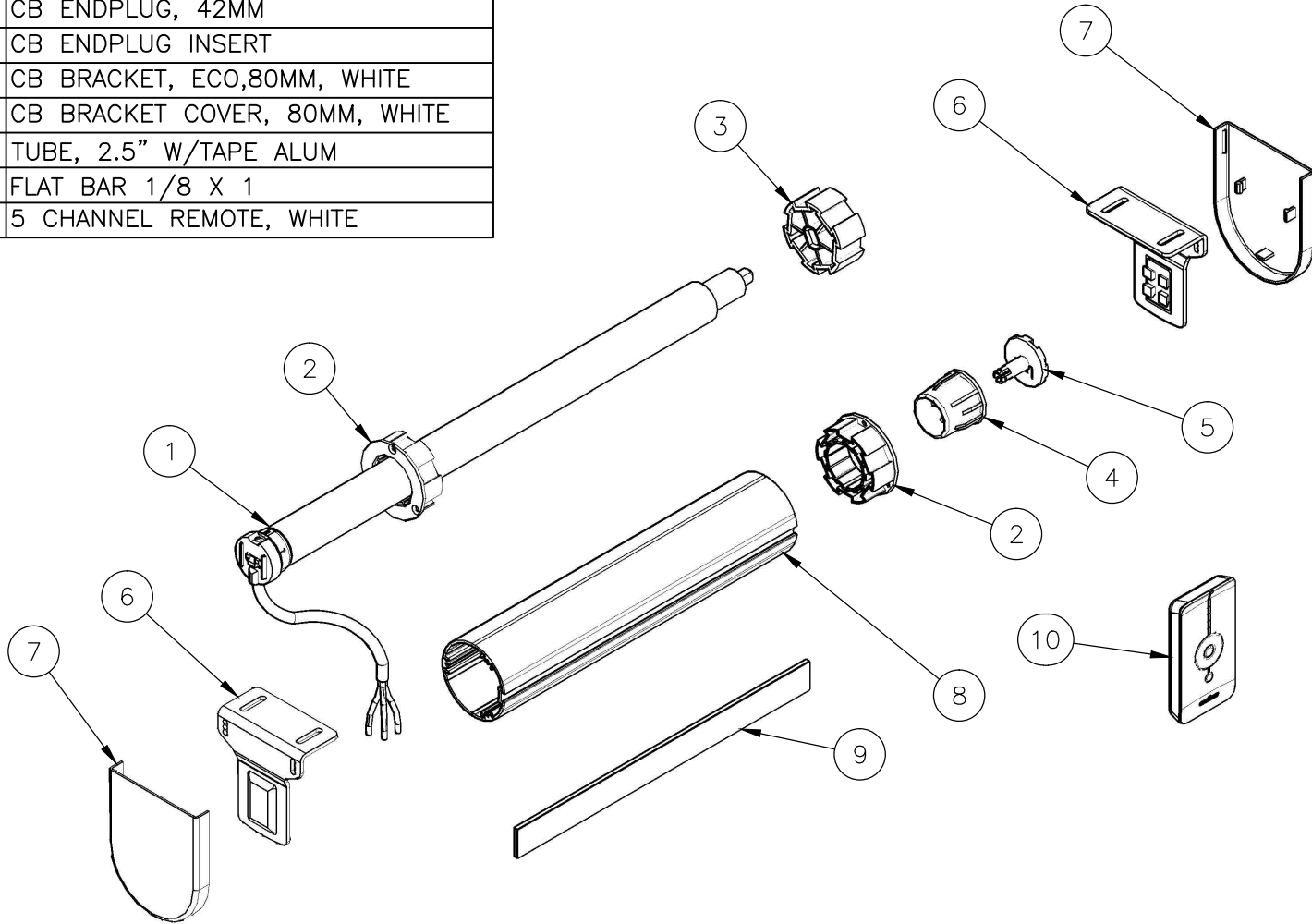


A B C D E

Parts List

ITEM	QTY	NAME	MATERIAL
1	1	101.8003	MOTOR, ABC-06-QC120
2	2	230.8005	CB ADAPTER 2.5"
3	1	230.8006	CB DRIVE ADAPTER, 2.5"
4	1	252.8001	CB ENDPLUG, 42MM
5	1	260.8001	CB ENDPLUG INSERT
6	2	236.8007	CB BRACKET, ECO,80MM, WHITE
7	2	250.8004	CB BRACKET COVER, 80MM, WHITE
8	1	311.2135	TUBE, 2.5" W/TAPE ALUM
9	1	323.1020	FLAT BAR 1/8 X 1
10	1	490.8001	5 CHANNEL REMOTE, WHITE



<p>CONFIDENTIAL</p> <p>All information disclosed in this document is proprietary to BTX Window Automation. Holder agrees to maintain it in confidence and must not replicate or reveal this information in any manner.</p>	Project	SORINA		
	Dim	MM		
	Tolerances			
		.XX ± .015	.XXX ± .005	ANG ± .5°
	Size	A	Matl:	
	By: B BRYSON	Date: 5/14/2014	Scale: N/A	Sheet 1 of 2
	Title		SORINA L CB MOTORIZED ROLLER SHADE	
	Dwg No:		3061	
	Rev		A	
FILE: C:\ENGINEERING\ASSEMBLIES\ROLLER SHADE SYSTEMS\MOTORIZED\SORINA L MOTORIZED\L CB MOTORIZED\3061 SORINA L CB MOTORIZED ROLLER SHADE				

A B C D E