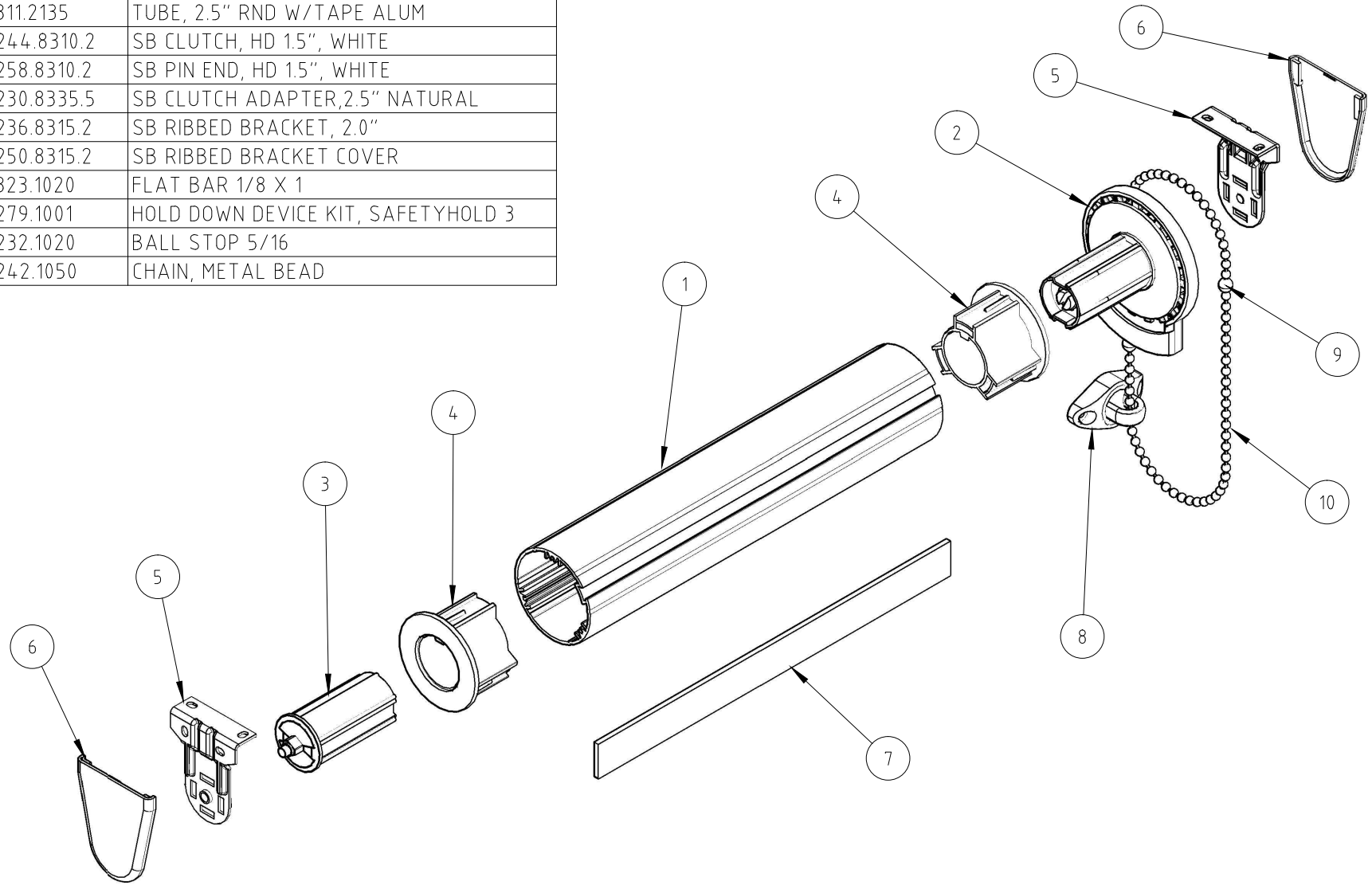


Item	Qty	Name	Description
1	1	311.2135	TUBE, 2.5" RND W/TAPE ALUM
2	1	244.8310.2	SB CLUTCH, HD 1.5", WHITE
3	1	258.8310.2	SB PIN END, HD 1.5", WHITE
4	2	230.8335.5	SB CLUTCH ADAPTER, 2.5" NATURAL
5	2	236.8315.2	SB RIBBED BRACKET, 2.0"
6	2	250.8315.2	SB RIBBED BRACKET COVER
7	1	323.1020	FLAT BAR 1/8 X 1
8	1	279.1001	HOLD DOWN DEVICE KIT, SAFETYHOLD 3
9	2	232.1020	BALL STOP 5/16
10	1	242.1050	CHAIN, METAL BEAD



<b>CONFIDENTIAL</b> All information disclosed in this document is proprietary to BTX Window Automation. Holder agrees to maintain it in confidence and must not replicate or reveal this information in any manner.	Project	SORINA		
	Dim	MM		
	Tolerances			
	Size	.XX ± .015		
		.XXX ± .005		
	ANG ± .5°			
	By: B BRYSON	Date: 5/8/2014	Scale: N/A	Sheet 1 of 2
<b>BTX<sup>®</sup> Intelligent Fashion<sup>™</sup></b> 10763 Sanden Dr.   Dallas, TX 75238   Tel. (800) 422-8839   F. (214) 343-2252		Title SORINA L "S" MANUAL ROLLER SHADE Dwg No: 2052 Rev A		
FILE: C:\ENGINEERING\ASSEMBLIES\ROLLER SHADE SYSTEMS\MANUAL\SORINA\SORINA L\2052 L_S MANUAL ROLLER SHADE				