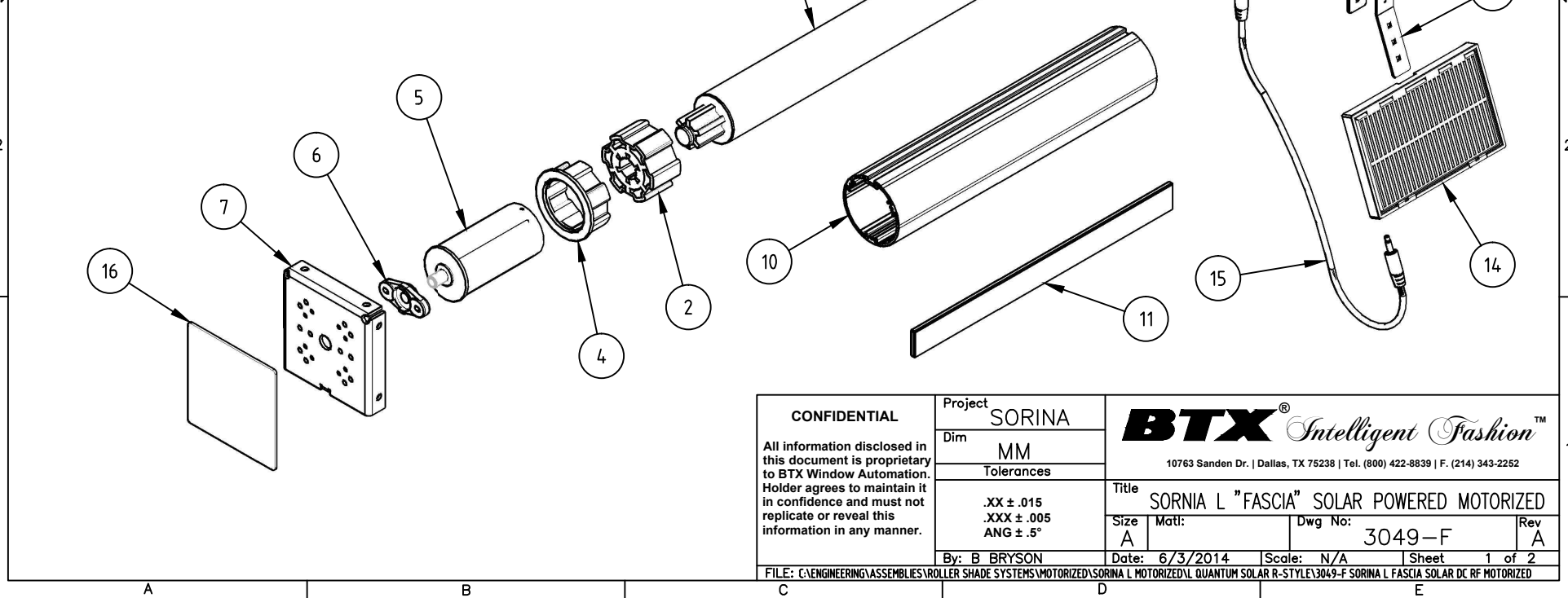


Item	Qty	A	B	Description
1	1	101.9210		MOTOR, 45-2-18 TURN DC RF SOLAR
2	1	230.1046		ADAPTER, DRIVE 63MM W/DAMPING
3	1	230.1049		CROWN 63MM BTX MOTOR
4	1	230.1155		ADAPTER, IDLER, SPRG LD 2.5" TUBE
5	1	258.9500		IDLER, SPRINGLOADED
6	1	234.1020		BEARING, 10MM, FLANGE
7	2	236.4090		BRACKET, 4.0" FASCIA, UNIVERSAL
8	1	236.1000		BRACKET, 16MM HANGER
9	1	278.9000		RETAINING PIN
10	1	311.2135		TUBE, 2.5" RND ALUM W/TAPE
11	1	323.1020		FLAT BAR 1/8 X 1
12	1	236.1355		BRACKET, TUMO SOLAR PANEL, LONG
13	1	236.1360		BRACKET, TUMO SOLAR PANEL, SHORT
14	1	400.2310		SOLAR PANEL TUMO 90 150MM
15	1	440.1200		PLUG, SOLAR PANEL TO MOTOR, 50-60CM
16	1	250.3105		FASCIA PLATE, R-SERIES, 4.0" WHITE
17	1	316.4060		FASCIA, 4.0" SQ, WHITE
18	1	316.7005		FASCIA, CURVED, 4.0" WHITE
19	1	250.7005		ENDCAP, CURVED FASCIA, 4.0" WHITE



<b>CONFIDENTIAL</b> All information disclosed in this document is proprietary to BTX Window Automation. Holder agrees to maintain it in confidence and must not replicate or reveal this information in any manner.	Project	SORINA		
	Dim	MM		
	Tolerances			
	Size	.XX ± .015 .XXX ± .005 ANG ± .5°		
			10763 Sanden Dr.   Dallas, TX 75238   Tel. (800) 422-8839   F. (214) 343-2252	
	Title			
	SORNIA L "FASCIA" SOLAR POWERED MOTORIZED			
	Size	Matl:	Dwg No:	Rev
	A		3049-F	A
	By: B BRYSON	Date: 6/3/2014	Scale: N/A	Sheet 1 of 2
FILE: C:\ENGINEERING\ASSEMBLIES\ROLLER SHADE SYSTEMS\MOTORIZED\SORINA L MOTORIZED\L QUANTUM SOLAR R-STYLE\3049-F SORINA L FASCIA SOLAR DC RF MOTORIZED				