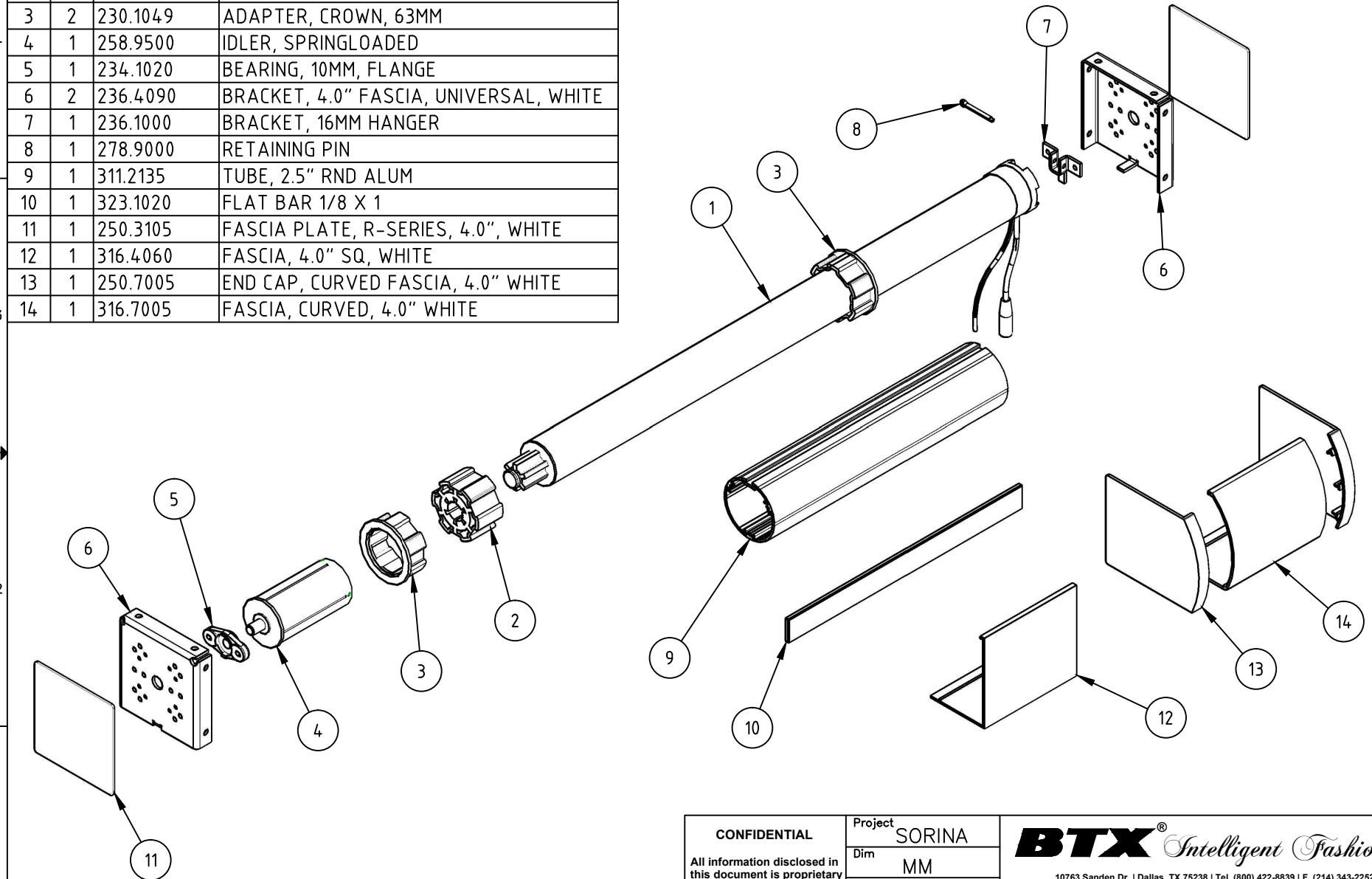


Item	Qty	Name	Description
1	1	101.9215	MOTOR, 45-2.5 DC RF DRY CONTACT
2	1	230.1048	ADAPTER, DRIVE, 63MM W/DAMPING
3	2	230.1049	ADAPTER, CROWN, 63MM
4	1	258.9500	IDLER, SPRINGLOADED
5	1	234.1020	BEARING, 10MM, FLANGE
6	2	236.4090	BRACKET, 4.0" FASCIA, UNIVERSAL, WHITE
7	1	236.1000	BRACKET, 16MM HANGER
8	1	278.9000	RETAINING PIN
9	1	311.2135	TUBE, 2.5" RND ALUM
10	1	323.1020	FLAT BAR 1/8 X 1
11	1	250.3105	FASCIA PLATE, R-SERIES, 4.0", WHITE
12	1	316.4060	FASCIA, 4.0" SQ, WHITE
13	1	250.7005	END CAP, CURVED FASCIA, 4.0" WHITE
14	1	316.7005	FASCIA, CURVED, 4.0" WHITE



CONFIDENTIAL All information disclosed in this document is proprietary to BTX Window Automation. Holder agrees to maintain it in confidence and must not replicate or reveal this information in any manner.	Project	SORINA		
	Dim	MM		
	Tolerances	.XX ± .015 .XXX ± .005 ANG ± .5°		
	Size	A	Matl:	
By: B BRYSON	Date: 5/29/2014	Scale: N/A	Dwg No: 3059-F	Rev A
FILE: C:\ENGINEERING\ASSEMBLIES\ROLLER SHADE SYSTEMS\MOTORIZED\SORINA L MOTORIZED\L TUMO DC MOTORIZED\3059-F SORINA L FASCIA TUMO DC RF MOTORIZED				



10763 Sanden Dr. | Dallas, TX 75238 | Tel. (800) 422-8839 | F. (214) 343-2252

Title SORINA L "FASCIA" TUMO DC RF MOTORIZED

Sheet 1 of 2