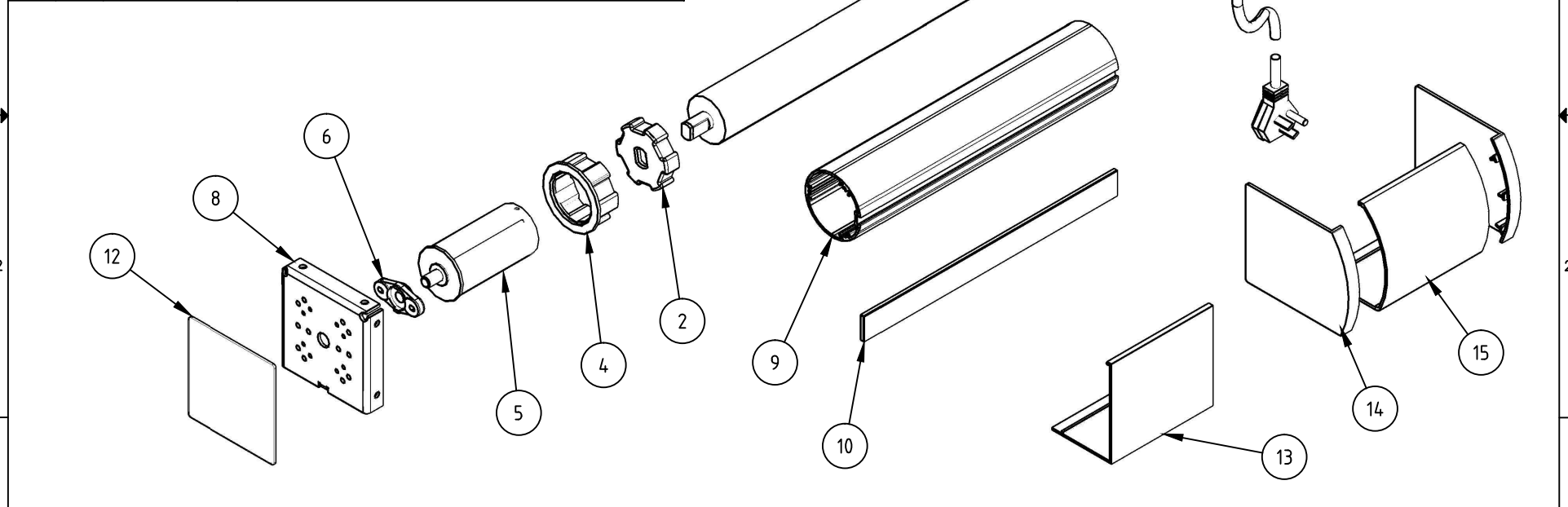


Item	Qty	A	B	C	D	E
Item	Qty	Name	Description			
1	1	102.5310	MOTOR, 45-10-32 RF T SERIES			
2	1	230.1003	ADAPTER, DRIVE 2.5" TUBE ROLLEASE			
3	1	230.1150	ADAPTER, CROWN 2.5" TUBE			
4	1	230.1049	ADAPTER, CROWN 2.5" TUBE			
5	1	258.9500	IDLER, SPRINGLOADED			
6	1	234.1020	BEARING, 10MM, FLANGE			
7	1	236.1000	BRACKET, 16MM HANGER			
8	2	236.4090	BRACKET, 4.0" FASCIA, UNIVERSAL, WHITE			
9	1	311.2135	TUBE, 2.5" RND W/TAPE ALUM			
10	1	323.1020	FLAT BAR 1/8 X 1			
11	1	278.9000	RETAINING PIN			
12	1	250.3105	FASCIA PLATE, R-SERIES, 4.0", WHITE			
13	1	316.4060	FASCIA, 4.0" SQ, WHITE			
14	1	250.7005	END CAP, CURVED FASCIA, 4.0" WHITE			
15	1	316.7005	FASCIA, CURVED, 4.0" WHITE			



<b>CONFIDENTIAL</b> All information disclosed in this document is proprietary to BTX Window Automation. Holder agrees to maintain it in confidence and must not replicate or reveal this information in any manner.	Project	SORINA		
	Dim	MM		
	Tolerances	.XX ± .015 .XXX ± .005 ANG ± .5°		10763 Sanden Dr.   Dallas, TX 75238   Tel. (800) 422-8839   F. (214) 343-2252
	Title	SORINA L "FASCIA" TUMO AC RF MOTORIZED		
	Size	A	Matl:	Dwg No: 3058-F
By: B BRYSON		Date: 5/9/2014	Scale: N/A	Sheet 1 of 2
FILE: C:\ENGINEERING\ASSEMBLIES\ROLLER SHADE SYSTEMS\MOTORIZED\SORINA L MOTORIZED\L TUMO AC MOTORIZED\3058-F SORINA L TUMO AC RF MOTORIZED				