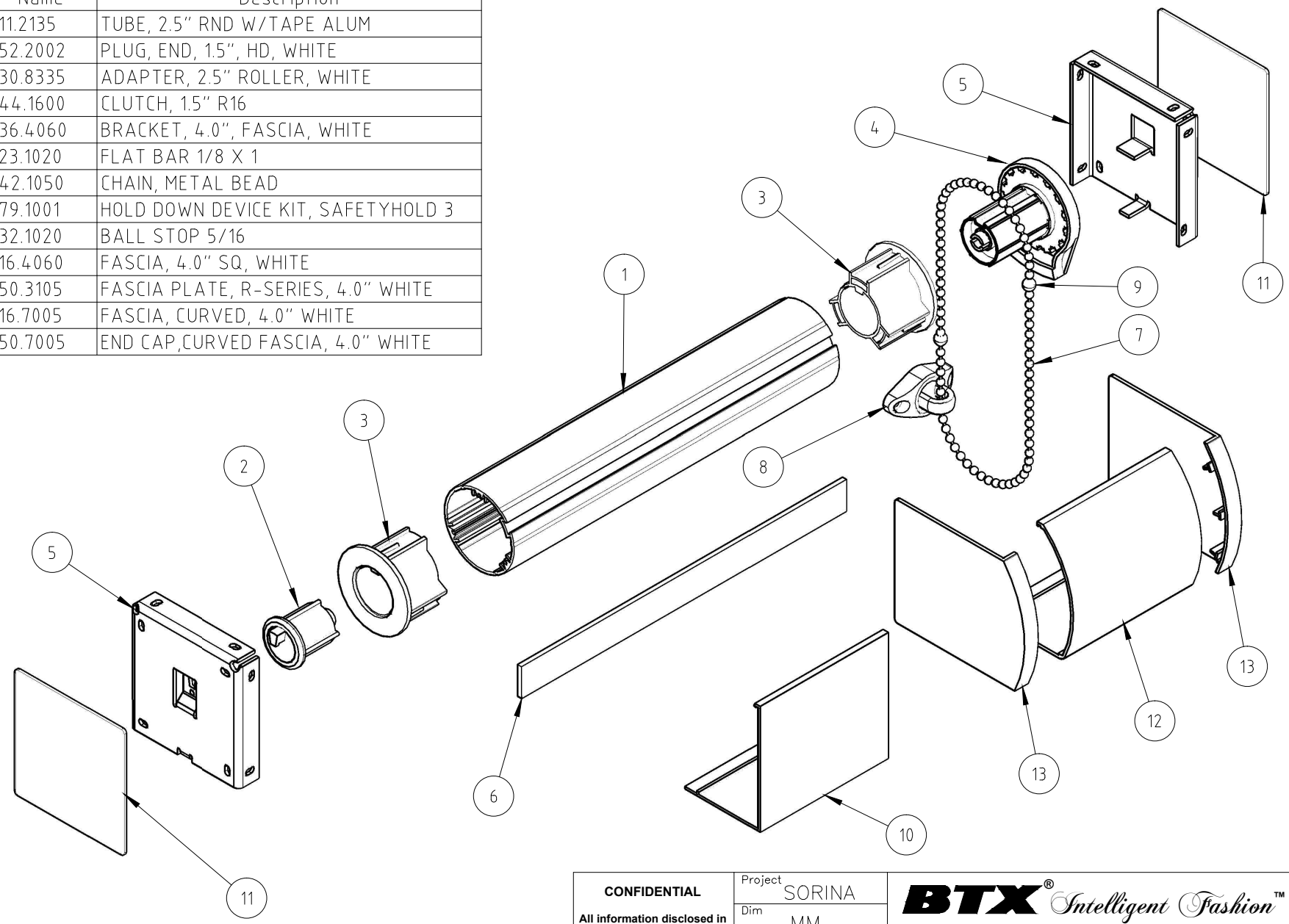


Item	Qty	Name	Description
1	1	311.2135	TUBE, 2.5" RND W/TAPE ALUM
2	1	252.2002	PLUG, END, 1.5", HD, WHITE
3	2	230.8335	ADAPTER, 2.5" ROLLER, WHITE
4	1	244.1600	CLUTCH, 1.5" R16
5	1	236.4060	BRACKET, 4.0", FASCIA, WHITE
6	1	323.1020	FLAT BAR 1/8 X 1
7	1	242.1050	CHAIN, METAL BEAD
8	1	279.1001	HOLD DOWN DEVICE KIT, SAFETYHOLD 3
9	2	232.1020	BALL STOP 5/16
10	1	316.4060	FASCIA, 4.0" SQ, WHITE
11	1	250.3105	FASCIA PLATE, R-SERIES, 4.0" WHITE
12	1	316.7005	FASCIA, CURVED, 4.0" WHITE
13	1	250.7005	END CAP, CURVED FASCIA, 4.0" WHITE



CONFIDENTIAL All information disclosed in this document is proprietary to BTX Window Automation. Holder agrees to maintain it in confidence and must not replicate or reveal this information in any manner.	Project	SORINA		
	Dim	MM		
	Tolerances			
		.XX ± .015	.XXX ± .005	ANG ± .5°
	By: B BRYSON	Date: 5/8/2014	Scale: N/A	Sheet 1 of 2
	Title		SORINA L "FASCIA" MANUAL ROLLER SHADE	
	Size	Matl:	Dwg No:	Rev
	A		2052-F	A
FILE: C:\ENGINEERING\ASSEMBLIES\ROLLER SHADE SYSTEMS\MANUAL\SORINA\SORINA L\2052-F_L_FASCIA_MANUAL ROLLER SHADE				



10763 Sanden Dr. | Dallas, TX 75238 | Tel. (800) 422-8839 | F. (214) 343-2252