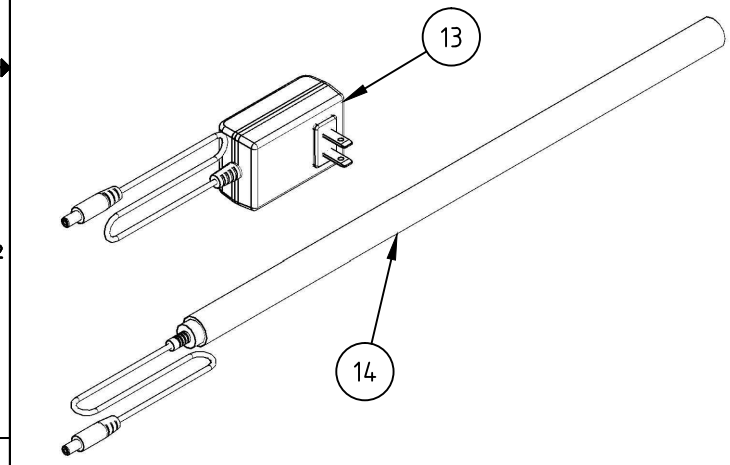
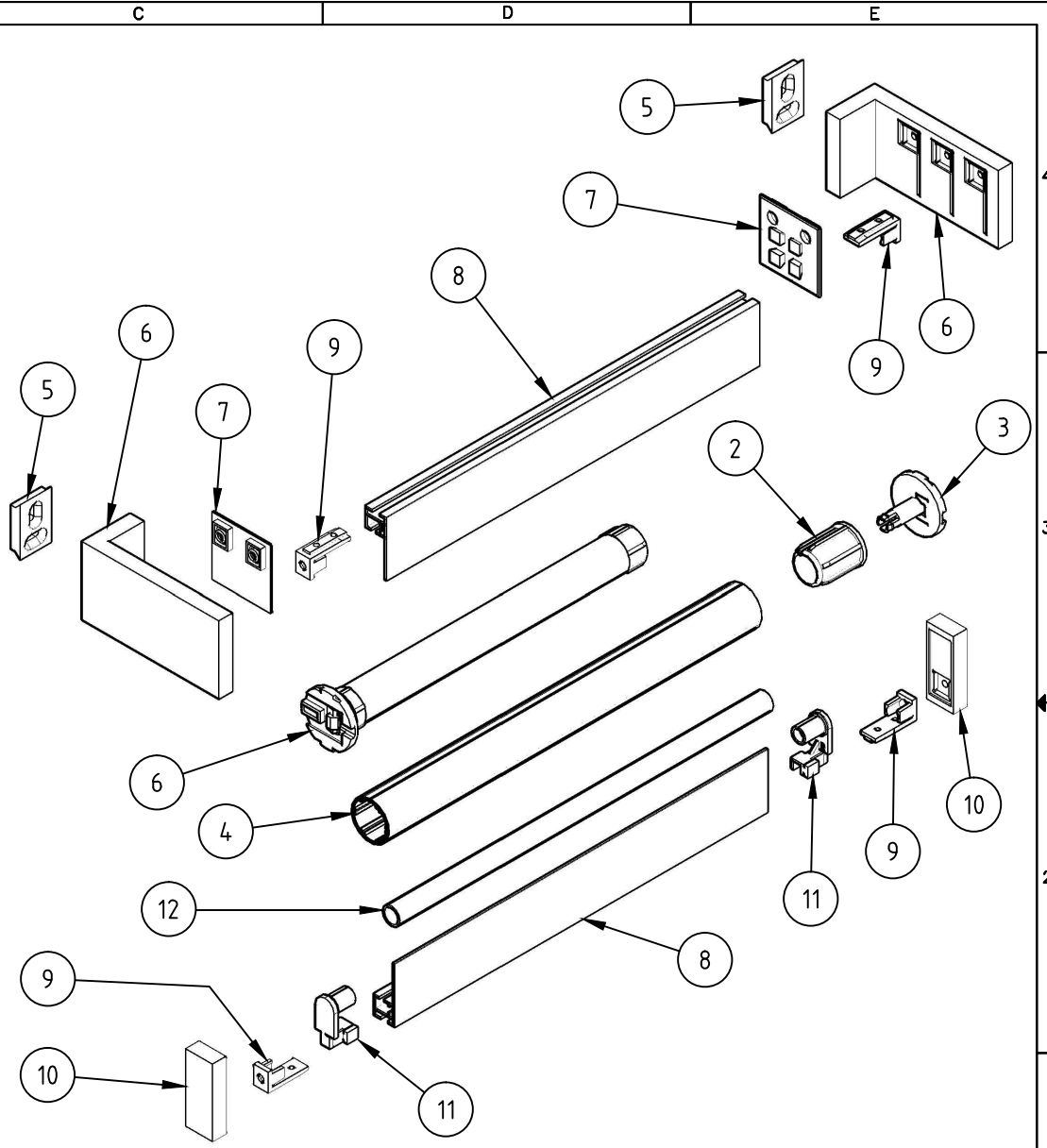


Item	Qty	A	B	Description
1	1	101.8001		MOTOR, CB TUBLAR, 12-24VDC
2	1	252.8002		CB ENDPLUG, 28MM, BLACK
3	1	260.8001		CB ENDPLUG INSERT
4	1	311.8051		CB TUBE, 30MM
5	2	278.8074		CB WALL FIXING PLATE, SIDE BRKT
6	1	236.8015		CB ULTIMATE SIDE BRACKET, 3-WAY, SATIN
7	1	242.8002		CB ULTIMATE ADAPTER SET, MOTOR
8	2	316.8002		CB ULTIMATE FASCIA, SATIN
9	4	278.8075		CB INSERT PLATE, SIDE BRACKET
10	2	238.8002		CB ULTIMATE BOTTOM BAR END CAP, SATIN
11	1	230.8011		CB DBL ROLLER ADAPTER, BOTTOM RAIL
12	1	315.9151		CB DBL INTERIOR BOTTOM BAR, SILVER
13	1	400.8003		CB DC POWER ADAPTER, 24V
14	1	400.8002		CB BATTERY WAND



CONFIDENTIAL All information disclosed in this document is proprietary to BTX Window Automation. Holder agrees to maintain it in confidence and must not replicate or reveal this information in any manner.	Project	GEMINI		
	Dim	MM		
	Tolerances	.XX ± .015 .XXX ± .005 ANG ± .5°		10763 Sanden Dr. Dallas, TX 75238 Tel. (800) 422-8839 F. (214) 343-2252
	Size	A	Mati:	Title GEMINI S CB ULTIMATE MOTORIZED ROLLER SHADE
	By:	B BRYSON	Date:	6/12/2014
FILE: C:\ENGINEERING\ASSEMBLIES\GEMINI SHADE SYSTEMS\GEMINI S MOTORIZED\3036-U GEMINI S CB MOTORIZED		Scale:	N/A	Sheet 1 of 3