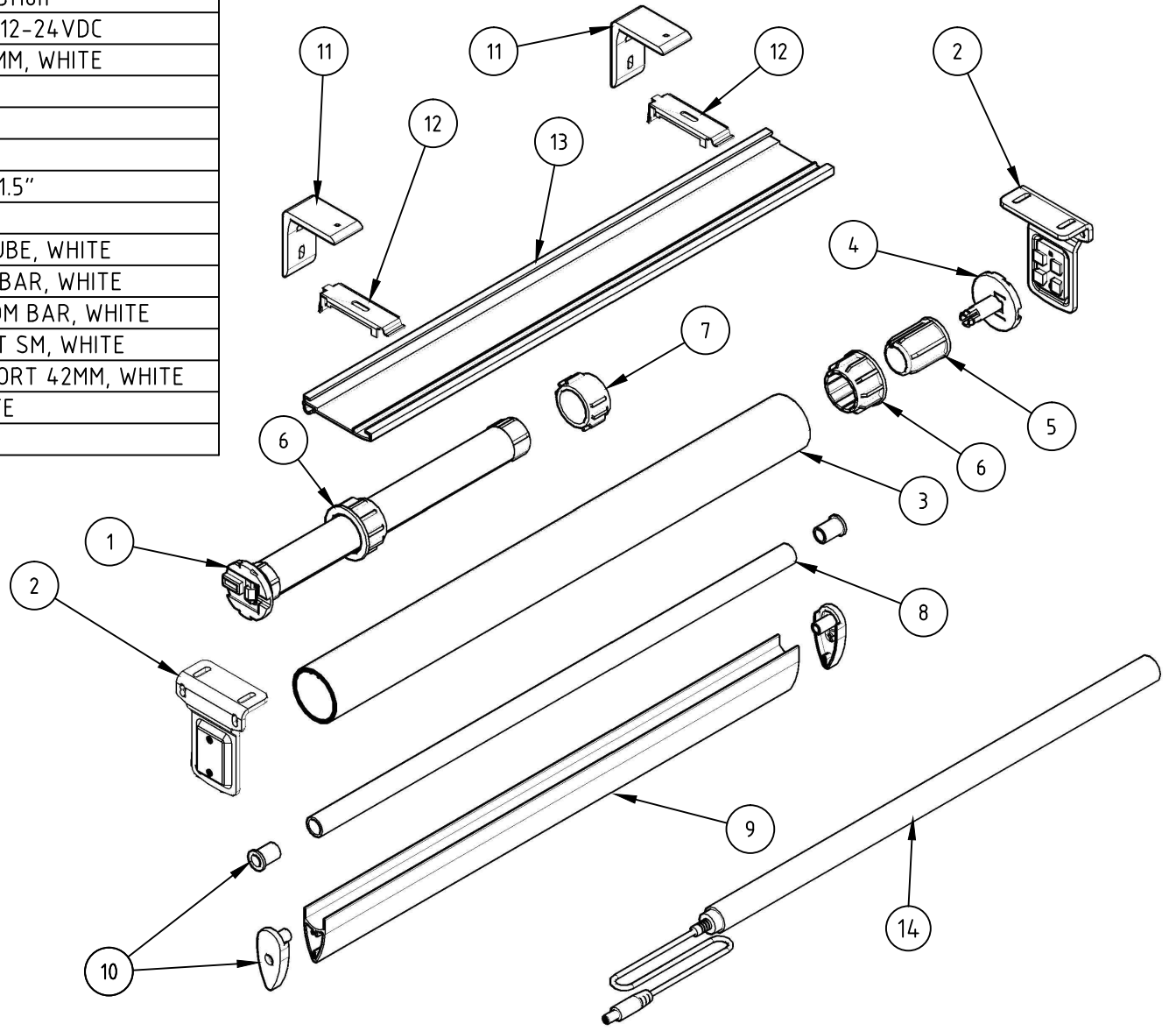


Item	Qty	A	B	Description
1	1	101.8001		MOTOR, CB TUBULAR, 12-24 VDC
2	2	236.8005		CB BRACKET, ECO, 42MM, WHITE
3	1	311.1512		TUBE, 1.5" RND ALUM
4	1	260.8001		CB ENDPLUG INSERT
5	1	252.8002		CB ENDPLUG, 28MM
6	2	230.8007		CB CROWN ADAPTER, 1.5"
7	1	230.8008		CB DRIVE ADAPTER
8	1	315.9150		CB DBL ROLLER INT TUBE, WHITE
9	1	315.9250		CB DBL EXT. BOTTOM BAR, WHITE
10	2	238.9150		CAP DBL ROLL, BOTTOM BAR, WHITE
11	2	236.8050		CB PT, WALL BRACKET SM, WHITE
12	2	278.8043		CLIP, MOUNTING SUPPORT 42MM, WHITE
13	1	322.8005		CB TOP PROFILE, WHITE
14	1	400.8002		CB BATTERY WAND



CONFIDENTIAL All information disclosed in this document is proprietary to BTX Window Automation. Holder agrees to maintain it in confidence and must not replicate or reveal this information in any manner.	Project	GEMINI		
	Dim	MM		
	Tolerances	.XX ± .015 .XXX ± .005 ANG ± .5°		10763 Sanden Dr. Dallas, TX 75238 Tel. (800) 422-8839 F. (214) 343-2252
	Title	GEMINI S CB MOTORIZED ROLLER SHADE		Size: A Matl: Dwg No: 3036 Rev: A
	By: B BRYSON	Date: 6/12/2014	Scale: N/A	Sheet 1 of 2

FILE: C:\ENGINEERING\ASSEMBLIES\GEMINI SHADE SYSTEMS\GEMINI S MOTORIZED\3036 GEMINI S CB MOTORIZED