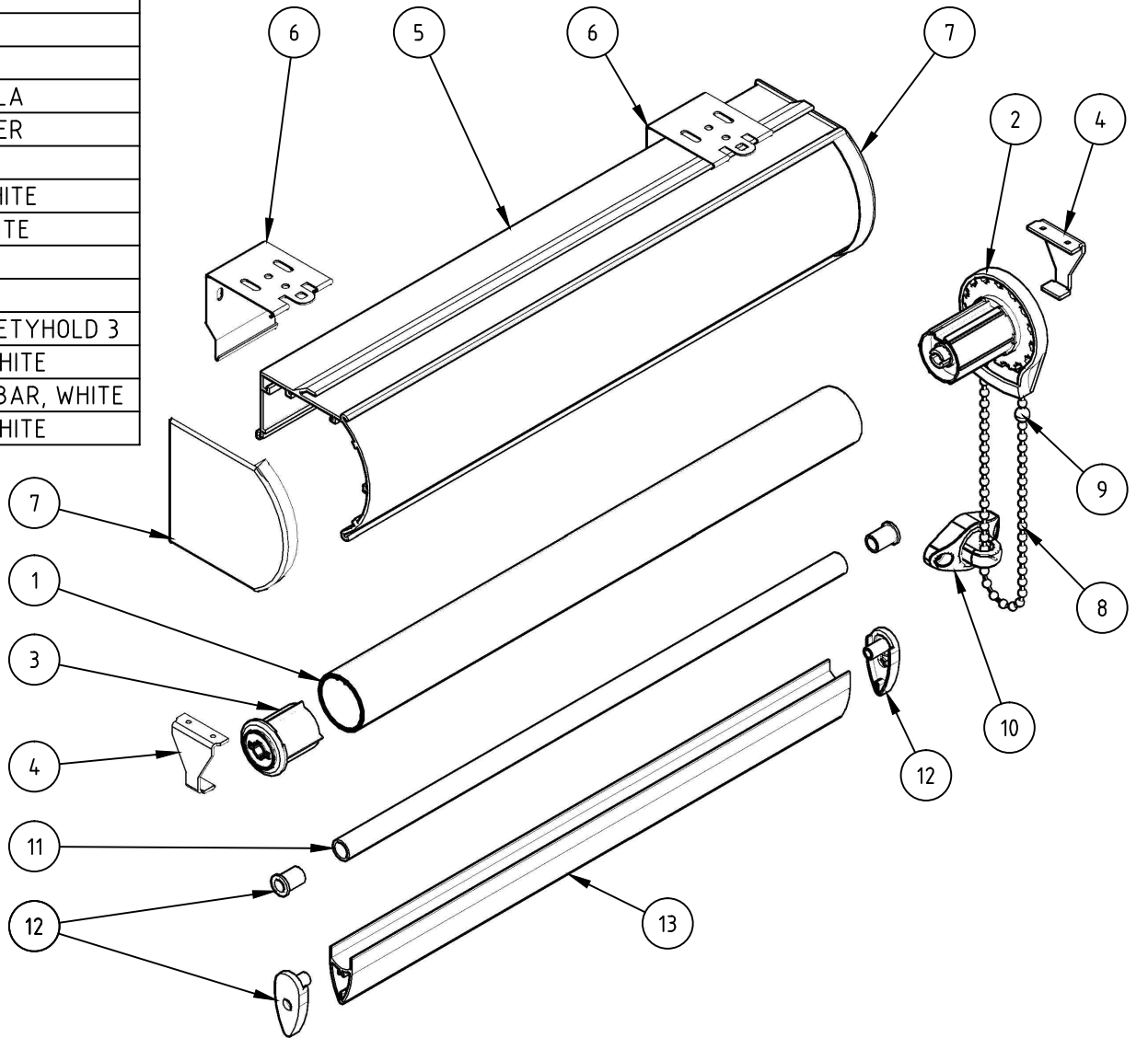


Item	Qty	Name	Description
1	1	311.1512	TUBE, 1.5" RND ALUM
2	1	244.1600	CLUTCH, 1.5", VANILLA
3	1	258.3001	IDLER, CASSETTE 120, VANILLA
4	2	236.2401	BRACKET CASSETTE 120, IDLER
5	1	309.2000.2	CASSETTE 120, WHITE
6	2	236.2000.2	BRACKET, CASSETTE 120, WHITE
7	2	250.2000.2	END CAP, CASSETTE 120, WHITE
8	1	242.8054	CHAIN, METAL SATIN
9	2	232.1020	BALL STOP 5/16
10	1	279.1001	HOLD DOWN DEVICE KIT, SAFETYHOLD 3
11	1	315.9150	CB DBL ROLLER INT. TUBE, WHITE
12	2	238.9150	CAP, CB DBL ROLL, BOTTOM BAR, WHITE
13	1	315.9250	CB DBL EXT BOTTOM BAR, WHITE



CONFIDENTIAL All information disclosed in this document is proprietary to BTX Window Automation. Holder agrees to maintain it in confidence and must not replicate or reveal this information in any manner.	Project	GEMINI		
	Dim	MM		
	Tolerances	.XX ± .015 .XXX ± .005 ANG ± .5°		
	Size	A	Matl:	
	By: B BRYSON	Date: 6/9/2014	Scale: N/A	Sheet 1 of 2
BTX[®] Intelligent Fashion[™] 10763 Sanden Dr. Dallas, TX 75238 Tel. (800) 422-8839 F. (214) 343-2252		Title GEMINI S "R" MANUAL ROLL SHADE		
		Dwg No:	2035	Rev A
FILE: C:\ENGINEERING\ASSEMBLIES\GEMINI SHADE SYSTEMS\GEMINI S\2035 GEMINI S R MANUAL				